

INCISO
RUSSIA
PRICE LIST
daidrockwell for
GESSI®



ON THE RIGHT: Nobu Downtown
Photo Credit: Eric Laignel

BELOW: Gato
Photo Credit: Eric Laignel



NeueHouse
Photo Credit: Eric Laignel

Based in New York with a satellite office in Madrid, Rockwell Group is an interdisciplinary architecture and design firm that emphasizes innovation and thought leadership in every project. Founded by David Rockwell, FAIA, the 250-person firm uses theater, technology, and finely-wrought craft to create extraordinary expe-

riences and built environments across the globe. Its roster includes Nobu hotels and restaurants worldwide, including the new Nobu Downtown in New York; Union Square Cafe (New York); NeueHouse (New York and Los Angeles); TED Theater (Vancouver); the New York EDITION; 15 Hudson Yards and the Shed in New York

daidrockwell



Chefs Club
Photo Credit: Emily Andrews

in collaboration with Diller Scofidio + Renfro; W Hotels worldwide; and set designs for *Falsettos*, *She Loves Me*, and *Kinky Boots*. From surface and floor coverings for Maya Romanoff, The Rug Company, and Jim Thompson, to lighting for Rich Brilliant Willing and furniture for Stellar Works and

Knoll, the firm celebrates product design as a natural extension of its immersive environments. Honors and recognition include 2016 Tony and Drama Desk Awards for Best Scenic Design for *She Loves Me*; the AIANY President's Award; the Cooper Hewitt National Design Award; and the Presidential Design Award.



“We’re driven by a deep curiosity about the world. This keeps us open to possibilities — for our clients and ourselves.”

David Rockwell

dauidrockwell

“It’s about observing a situation—a process, object or place—and believing it can be better.”

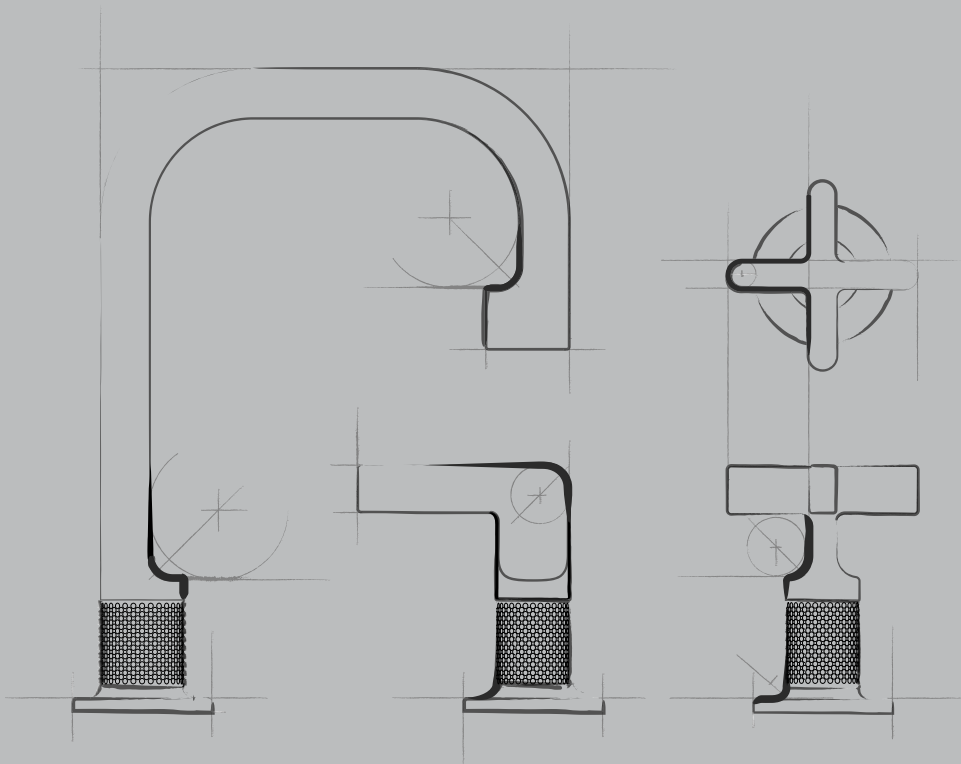


David is inspired not only by theater and public space, but also technology and finely wrought craft, to create a unique narrative for every project.

David Rockwell, FAIA, has long harbored a fascination with immersive environments. He grew up in the theater—his mother, a vaudeville dancer and choreographer, often cast him in community repertory productions.

But when he was 12, David’s family had a dramatic scene change, moving from Deal, New Jersey to Guadalajara, Mexico. There he discovered a whole new world of vibrant marketplaces, street life, and public spaces.

David founded Rockwell Group in 1984. The 250-person award winning, cross-disciplinary architecture and design practice is based in New York City, with satellite offices in Madrid and Shanghai.



INCISO

Bringing a new visual language to the contemporary bath-scape, **Inciso** channels the honesty of traditional craftsmanship and the American spirit.

The collection of faucets and accessories designed by David Rockwell for Gessi creates a new design language for the contemporary bathroom.

The line's clean modern forms is consistent with the tradition of Gessi, and is highly customizable, fully flexible, suitable for many environments—both residential and hospitality.

The formal gestures of early plumbing fixtures and the refined, architectural sensibility of modern metalwork inspired the distinguished profile.

With sculpted contours paired with smooth surfaces and textured patterns, the collection achieves captivating allure in alignment with Gessi's philosophy, which is to enrich intimate living spaces with beautiful, well-made objects that remain reliably functional.

INDEX

INCISO -	13
INCISO +	25
Wellness	33
Shower	53
Accessories	65
Total Look	71
Technical Accessories	77

davidrockwell for
GESSI®





INCISO



daavidrockwell for
GESSI[®]



The collection is made of solid brass, available in a large number of finishes, including black, nickel and bronze.

Inciso can be easily customized by mixing different texture inserts and finishes, providing a wide variety of combinations suitable for any bath environment.

DESIGN BY DAVID ROCKWELL FOR GISSI



Whether in a residential or a commercial setting, **Inciso** line of bath fixtures coordinates well with sinks, bathtubs, and showers, and complements the accessory pieces such as towel bars and soap dispensers.

Through the creativity and innovation of both companies, the David Rockwell for Gessi suite of products interprets a uniquely American ethos for today's bath.



IS-PVD TREATMENT



IS-PVD - это усовершенствованная технология нанесения тончайшей металлической пленки в вакууме.

Покрытие IS-PVD обладает уникальными характеристиками, касающимися как качества нанесенной пленки, так и технологии производства.

Иновативность заключается также в возможности создания эксклюзивных цветов и высокой прочности покрытия.

Производственный процесс

Компоненты, предназначенные для обработки, помещаются в специальную вакуумную камеру под давлением 5-10 мбар.

Внутри камеры создаются пары таких элементов как цирконий и титан, которые и формируют покрытие, конденсируясь в субстрате. Конденсации способствует контролируемая подача рабочего и реакционного газов (аргона, азота и метана).

IS-PVD is an enhanced vacuum technology for thin film deposition.

The new IS-PVD coatings have unique characteristics for both, surface quality and advanced production processes. Exclusive colours and high technical features define IS-PVD coatings innovation.

The process

Components to be treated are set in a chamber which is then vacuum-sealed at pressures of 5-10 mbar.

Inside the chamber titanium and zirconium vapours, which will form the coating, are produced.

Vapours spread in the chamber and condense deep in the substrates. Condensation develops in the presence of process gases (argon, nitrogen and methane) that are introduced into the chamber in a controlled way.

Added to condensation, these chemical processes form compounds that are different from the starting ones.



#031
Хром
Chrome



#149
Finox
Finox



#713
Antique Brass



#187
Aged Bronze



#299
черный XL
Black XL



#706
Black Metal PVD



#707
Black Metal Brushed PVD



#030
Copper PVD



#708
Copper Brushed PVD



#246
Gold PVD



#727
Brass Brushed PVD

01080	80	43281	46-52	58015	15	58189	58	58532	68
01375	78	43283	46-52	58016	16	58190	28	58537	68
01376	79	44655	54	58027	22	58192	28	58538	68
01377	78	44673	54	58028	23	58194	29	58543	68
01391	79	45089	16-16	58040	23	58199	19	58544	69
01408	79		22-28	58043	23	58200	21	SP02148	63
01411	78		28-29	58061	54	58204	42		
01420	78			58079	54	58206	42		
01422	78	54054	62	58088	18	58208	43		
01423	79	54055	19	58089	18	58210	43		
01452	80	54198	18-18	58090	16	58214	44		
01453	80	54599	74	58091	20	58216	44		
01637	63	54601	73	58092	16	58218	45		
01664	24-31	54603	74	58093	20	58220	45		
01669	24-31	54611	72	58094	22	58224	48		
01758	24-31	54613	72	58095	20	58226	48		
01813	24-31	54615	72	58099	23-30	58228	49		
01814	24-31	54617	73	58100	18	58230	49		
09269	55-55	57018	34	58101	19	58232	56		
	56-56		35	58103	22-29	58234	57		
	57-57	57261	40	58109	19	58236	57		
13375	61	57263	40	58111	27	58248	58		
14372	62	57265	40	58112	27	58250	59		
20293	39	57267	40	58113	27	58252	59		
20295	39	57601	34	58114	27	58254	46-52		
28746	63	57603	34	58115	27	58263	46		
29263	79	57803	35	58116	28	58299	20		
29264	80	57809	35	58123	61	58344	50		
29463	74	57823	35	58127	29	58346	50		
29783	62	57829	35	58128	30	58348	51		
30622	21	57873	35	58132	55	58350	51		
30624	21	57878	37	58134	55	58363	52		
30629	21	57879	37	58136	56	58455	69		
32971	60	57903	36	58140	30	58497	69		
32977	60	57909	36	58142	60	58500	69		
32982	61	57923	38	58143	30	58501	66		
32985	61	57929	38	58144	60	58502	66		
33725	21	57973	36	58145	60	58503	69		
37584	74	57975	36	58148	59	58505	70		
37587	75	57979	38	58150	59	58507	66		
39113	72	57980	38	58151	73	58508	66		
39115	72	58001	17	58152	59	58509	70		
43103	42-44	58002	17	58153	73	58513	66		
	48-50	58003	17	58157	62	58514	67		
43105	42-44	58004	17	58160	62	58519	67		
	48-50	58007	22	58161	61	58520	67		
43107	43-45	58011	15	58169	62	58521	70		
	49-51	58012	15	58185	58	58525	67		
43109	43-45	58013	15	58186	58	58526	67		
	49-51	58014	15	58188	58	58531	68		



INCISO
davidrockwell for
GESSI®

GISSI®

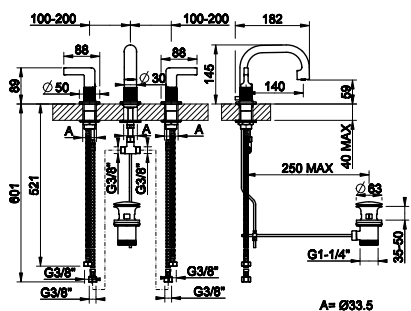


INCISO -

58011

Смеситель для раковины на 3 отверстия с донным клапаном на 1 1/4", соединительные шланги на 3/8".

Three-hole basin mixer with spout, with 1 1/4" pop-up waste and flexible hoses with 3/8" connections.



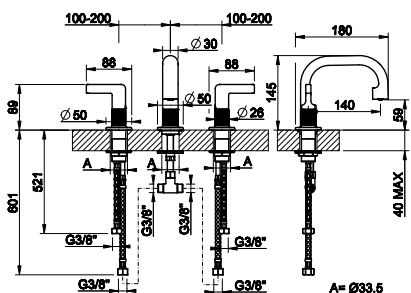
031	Chrome	978 706	Black Metal PVD	1.448
149	Finox	1.272 707	Black Metal Br. PVD	1.545
299	Black XL	1.223 708	Copper Brushed PVD	1.545
187	Aged Bronze	1.545 727	Brushed Brass PVD	1.545
713	Antique Brass	1.545 246	Gold PVD	1.643
030	Copper PVD	1.448		



58012

Смеситель для раковины на 3 отверстия, соединительные шланги на 3/8", без донного клапана.

Three-hole basin mixer with spout, flexible hoses with 3/8" connections, without waste.



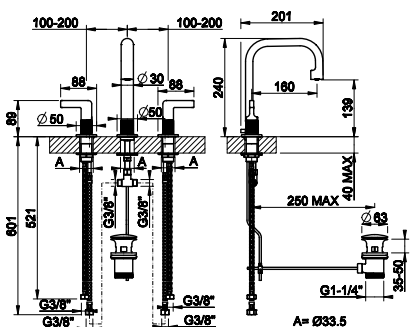
031	Chrome	959 706	Black Metal PVD	1.420
149	Finox	1.248 707	Black Metal Br. PVD	1.515
299	Black XL	1.199 708	Copper Brushed PVD	1.515
187	Aged Bronze	1.515 727	Brushed Brass PVD	1.515
713	Antique Brass	1.515 246	Gold PVD	1.612
030	Copper PVD	1.420		



58013

Смеситель для раковины на 3 отверстия с донным клапаном на 1 1/4", соединительные шланги на 3/8".

Three-hole basin mixer with spout, with 1 1/4" pop-up waste and flexible hoses with 3/8" connections.



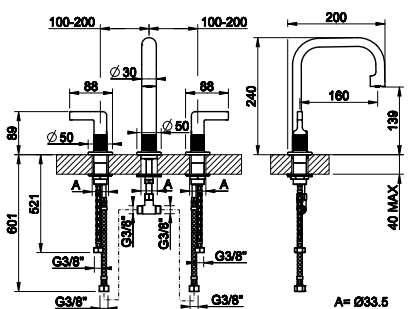
031	Chrome	978 706	Black Metal PVD	1.448
149	Finox	1.272 707	Black Metal Br. PVD	1.545
299	Black XL	1.223 708	Copper Brushed PVD	1.545
187	Aged Bronze	1.545 727	Brushed Brass PVD	1.545
713	Antique Brass	1.545 246	Gold PVD	1.643
030	Copper PVD	1.448		



58014

Смеситель для раковины на 3 отверстия, соединительные шланги на 3/8", без донного клапана.

Three-hole basin mixer with spout, flexible hoses with 3/8" connections, without waste.



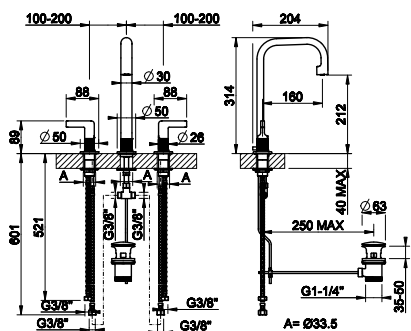
031	Chrome	959 706	Black Metal PVD	1.420
149	Finox	1.248 707	Black Metal Br. PVD	1.515
299	Black XL	1.199 708	Copper Brushed PVD	1.515
187	Aged Bronze	1.515 727	Brushed Brass PVD	1.515
713	Antique Brass	1.515 246	Gold PVD	1.612
030	Copper PVD	1.420		



58015

Смеситель для раковины на 3 отверстия с донным клапаном на 1 1/4", соединительные шланги на 3/8".

Three-hole basin mixer with spout, with 1 1/4" pop-up waste and flexible hoses with 3/8" connections.



031	Chrome	978 706	Black Metal PVD	1.448
149	Finox	1.272 707	Black Metal Br. PVD	1.545
299	Black XL	1.223 708	Copper Brushed PVD	1.545
187	Aged Bronze	1.545 727	Brushed Brass PVD	1.545
713	Antique Brass	1.545 246	Gold PVD	1.643
030	Copper PVD	1.448		

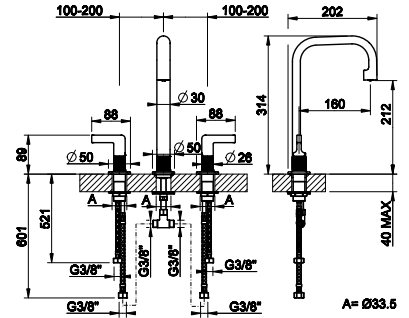




58016

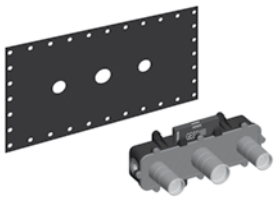
Смеситель для раковины на 3 отверстия, соединительные шланги на 3/8", без донного клапана.
Three-hole basin mixer with spout, flexible hoses with 3/8" connections, without waste.

031	Chrome	959 706	Black Metal PVD	1.420
149	Finox	1.248 707	Black Metal Br. PVD	1.515
299	Black XL	1.199 708	Copper Brushed PVD	1.515
187	Aged Bronze	1.515 727	Brushed Brass PVD	1.515
713	Antique Brass	1.515 246	Gold PVD	1.612
030	Copper PVD	1.420		



45089

Герметичная встраиваемая часть для смесителя с изливом.
Watertight built-in part for mixer with spout.



031	Chrome	401
-----	--------	-----

45089 + 58090

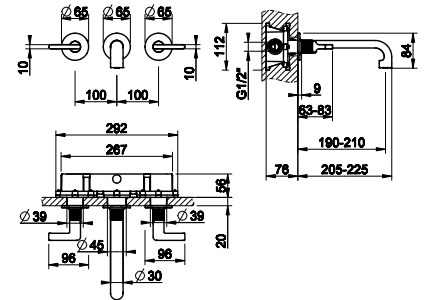


58090

Внешние части для встраиваемого смесителя для раковины на 3 отверстия с изливом, без донного клапана.
External parts for built-in three-hole basin mixer with spout, without waste.

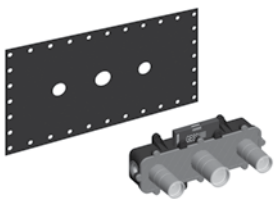


031	Chrome	629 706	Black Metal PVD	932
149	Finox	818 707	Black Metal Br. PVD	994
299	Black XL	787 708	Copper Brushed PVD	994
187	Aged Bronze	994 727	Brushed Brass PVD	994
713	Antique Brass	994 246	Gold PVD	1.058
030	Copper PVD	932		



45089

Герметичная встраиваемая часть для смесителя с изливом.
Watertight built-in part for mixer with spout.



031	Chrome	401
-----	--------	-----

45089 + 58092

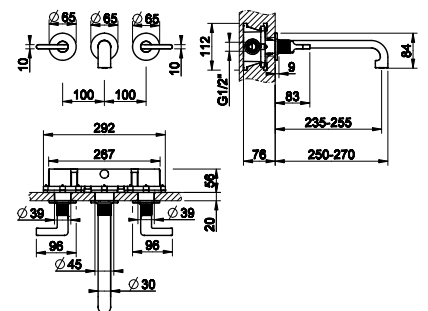


58092

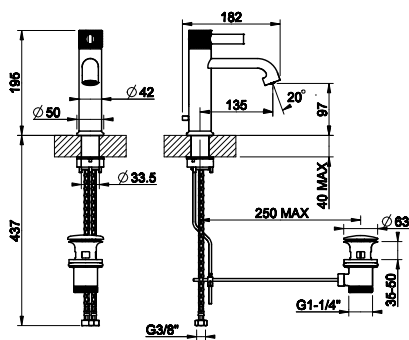
Внешние части для встраиваемого смесителя для раковины на 3 отверстия с изливом, без донного клапана.
External parts for built-in three-hole basin mixer with spout, without waste.



031	Chrome	643 706	Black Metal PVD	952
149	Finox	837 707	Black Metal Br. PVD	1.017
299	Black XL	804 708	Copper Brushed PVD	1.017
187	Aged Bronze	1.017 727	Brushed Brass PVD	1.017
713	Antique Brass	1.017 246	Gold PVD	1.080
030	Copper PVD	952		



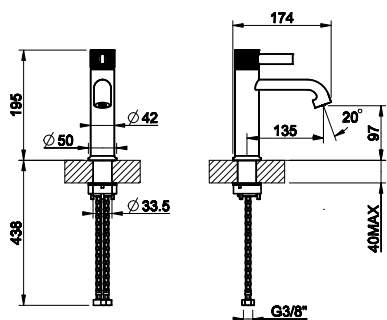
INCISO -



58001

Смеситель однорычажный с донным клапаном на 1 1/4", соединительные шланги на 3/8".
Basin mixer with 1 1/4" pop-up waste and flexible hoses with 3/8" connections.

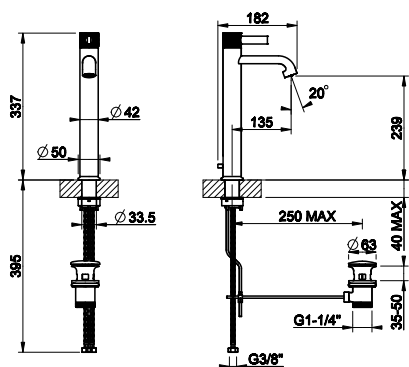
031	Chrome	567 706	Black Metal PVD	839
149	Finox	737 707	Black Metal Br. PVD	895
299	Black XL	709 708	Copper Brushed PVD	895
187	Aged Bronze	895 727	Brushed Brass PVD	895
713	Antique Brass	895 246	Gold PVD	953
030	Copper PVD	839		



58002

Смеситель для раковины, соединительные шланги на 3/8", без донного клапана.
Basin mixer, flexible hoses with 3/8" connections, without waste.

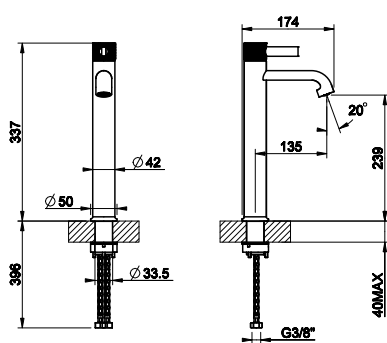
031	Chrome	548 706	Black Metal PVD	812
149	Finox	713 707	Black Metal Br. PVD	867
299	Black XL	685 708	Copper Brushed PVD	867
187	Aged Bronze	867 727	Brushed Brass PVD	867
713	Antique Brass	867 246	Gold PVD	920
030	Copper PVD	812		



58003

Смеситель однорычажный высокий с донным клапаном на 1 1/4", соединительные шланги на 3/8".
High version basin mixer with 1 1/4" pop-up waste and flexible hoses with 3/8" connections.

031	Chrome	624 706	Black Metal PVD	924
149	Finox	812 707	Black Metal Br. PVD	987
299	Black XL	780 708	Copper Brushed PVD	987
187	Aged Bronze	987 727	Brushed Brass PVD	987
713	Antique Brass	987 246	Gold PVD	1.049
030	Copper PVD	924		



58004

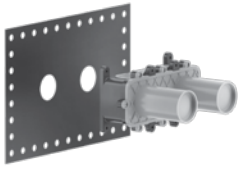
Смеситель для раковины высокий, соединительные шланги на 3/8", без донного клапана.
High version basin mixer, flexible hoses with 3/8" connections, without waste.

031	Chrome	605 706	Black Metal PVD	897
149	Finox	788 707	Black Metal Br. PVD	957
299	Black XL	757 708	Copper Brushed PVD	957
187	Aged Bronze	957 727	Brushed Brass PVD	957
713	Antique Brass	957 246	Gold PVD	1.018
030	Copper PVD	897		



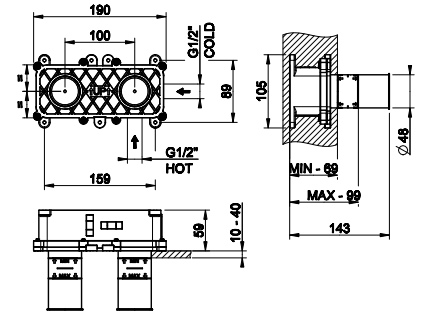
54198

Встраиваемая часть для смесителя с изливом.
Built-in part for mixer with spout.



239 Steel brushed **375**

54198 + 58088

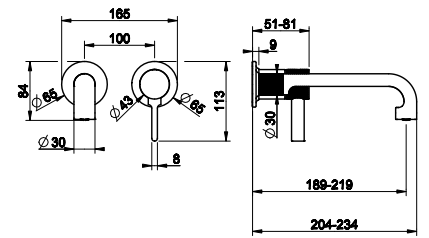


58088

Внешние части для встраиваемого однорычажного смесителя с изливом, без донного клапана.
External parts for built-in mixer with spout, without waste.

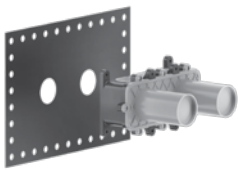


031	Chrome	482 706	Black Metal PVD	713
149	Finox	627 707	Black Metal Br. PVD	762
299	Black XL	603 708	Copper Brushed PVD	762
187	Aged Bronze	762 727	Brushed Brass PVD	762
713	Antique Brass	762 246	Gold PVD	809
030	Copper PVD	713		



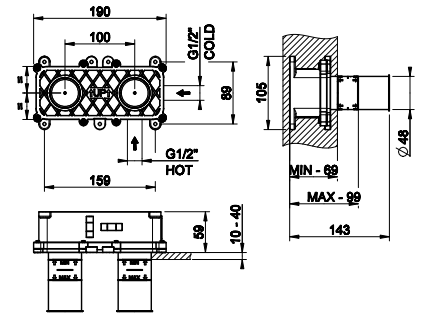
54198

Встраиваемая часть для смесителя с изливом.
Built-in part for mixer with spout.



239 Steel brushed **375**

54198 + 58089

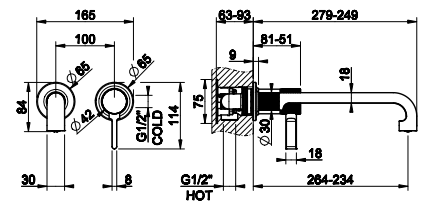


58089

Внешние части для встраиваемого однорычажного смесителя с изливом, без донного клапана.
External parts for built-in mixer with spout, without waste.



031	Chrome	495 706	Black Metal PVD	734
149	Finox	644 707	Black Metal Br. PVD	783
299	Black XL	619 708	Copper Brushed PVD	783
187	Aged Bronze	783 727	Brushed Brass PVD	783
713	Antique Brass	783 246	Gold PVD	833
030	Copper PVD	734		

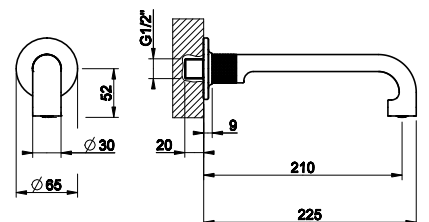


58100

Настенный излив на 1/2", комбинируемый с удаленным управлением (не входит в комплект).
Wall-mounted spout, 1/2" connections with separate control (not included)



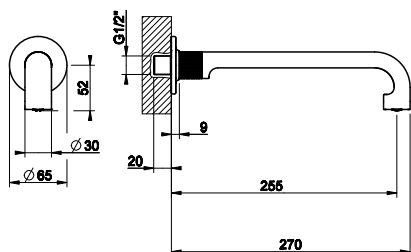
031	Chrome	237 706	Black Metal PVD	350
149	Finox	308 707	Black Metal Br. PVD	374
299	Black XL	297 708	Copper Brushed PVD	374
187	Aged Bronze	374 727	Brushed Brass PVD	374
713	Antique Brass	374 246	Gold PVD	398
030	Copper PVD	350		



INCISO -

58101

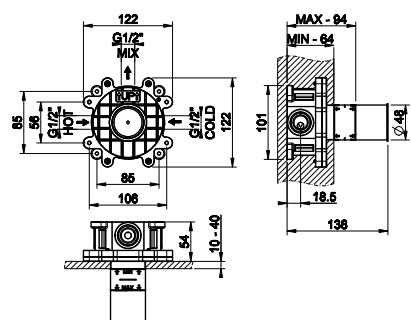
Настенный излив на 1/2", комбинируемый с удаленным управлением (не входит в комплект).
Wall-mounted spout, 1/2" connections with separate control (not included)



031	Chrome	242 706	Black Metal PVD	358
149	Finox	314 707	Black Metal Br. PVD	382
299	Black XL	303 708	Copper Brushed PVD	382
187	Aged Bronze	382 727	Brushed Brass PVD	382
713	Antique Brass	382 246	Gold PVD	407
030	Copper PVD	358		



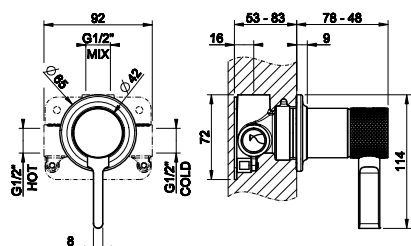
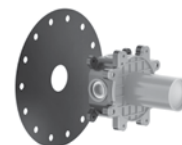
54055 + 58109



54055

Встраиваемая часть для смесителя однорычажного.
Built-in part for one-way mixer.

239	Steel brushed	248		
-----	---------------	-----	--	--



58109

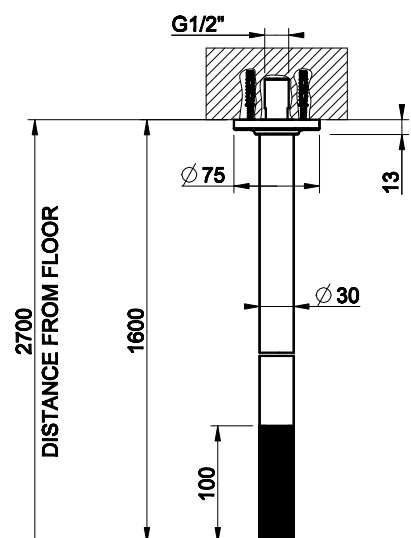
Внешние части для встраиваемого однорычажного смесителя, на 1/2", картридж Ø35 мм, одна позиция.
External parts for built-in mixer, with 1/2" connections, Ø35 cartridge, one-way.

031	Chrome	204 706	Black Metal PVD	303
149	Finox	265 707	Black Metal Br. PVD	323
299	Black XL	255 708	Copper Brushed PVD	323
187	Aged Bronze	323 727	Brushed Brass PVD	323
713	Antique Brass	323 246	Gold PVD	343
030	Copper PVD	303		



58199

Излив потолочный, комбинируемый с удаленным управлением (не входит в комплект).
Ceiling-mounted spout with separate control (not included).

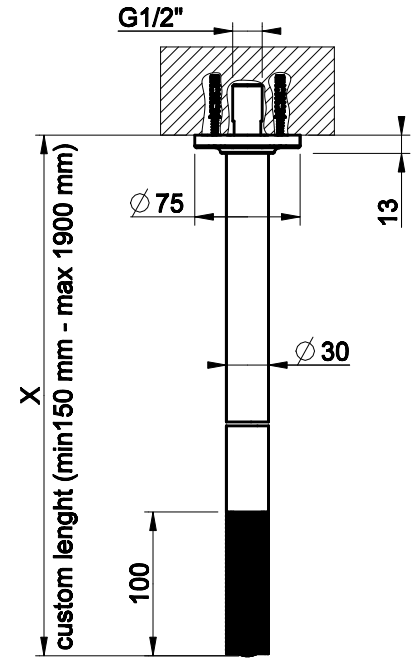


031	Chrome	1.028 706	Black Metal PVD	1.522
149	Finox	1.337 707	Black Metal Br. PVD	1.624
299	Black XL	1.285 708	Copper Brushed PVD	1.624
187	Aged Bronze	1.624 727	Brushed Brass PVD	1.624
713	Antique Brass	1.624 246	Gold PVD	1.727
030	Copper PVD	1.522		



58299

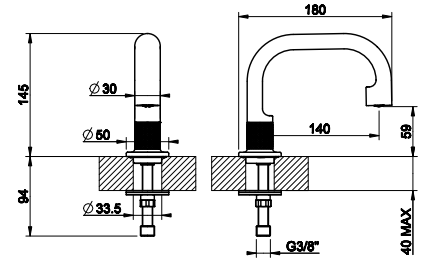
Излив потолочный, комбинируемый с удаленным управлением (не входит в комплект). Длина изготавливается под заказ (мин 150 макс 1900 мм).
Ceiling-mounted spout, length on request (min 150 max 1900 mm) with separate control (not included).



031	Chrome	1.490	707	Black Metal Br. PVD	2.355
149	Finox	1.939	708	Copper Brushed PVD	2.504
299	Black XL	1.864	727	Brushed Brass PVD	2.355
187	Aged Bronze	2.355	246	Gold PVD	2.355
030	Copper PVD	2.207			
706	Black Metal PVD	2.207			

58091

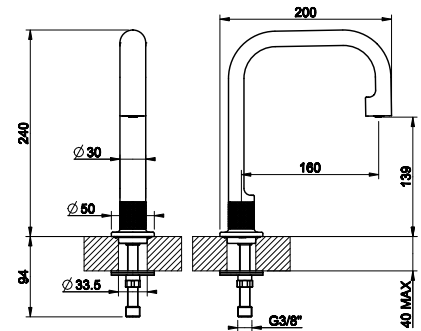
Смеситель для раковины на 3 отверстия, соединительные шланги на 3/8", без донного клапана.
Three-hole basin mixer with spout, flexible hoses with 3/8" connections, without waste.



031	Chrome	497	706	Black Metal PVD	735
149	Finox	670	707	Black Metal Br. PVD	785
299	Black XL	670	708	Copper Br. PVD	785
187	Aged Bronze	785	727	Brushed Brass PVD	785
713	Antique Brass	785	246	Gold PVD	834
030	Copper PVD	735			

58093

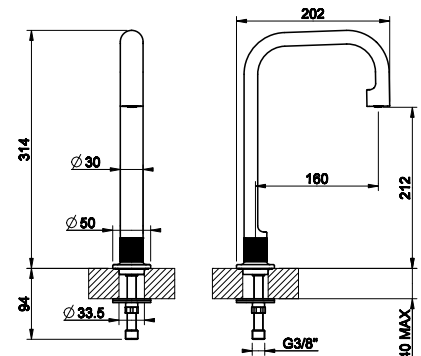
Смеситель для раковины на 3 отверстия, соединительные шланги на 3/8", без донного клапана.
Three-hole basin mixer with spout, flexible hoses with 3/8" connections, without waste.



031	Chrome	497	706	Black Metal PVD	735
149	Finox	670	707	Black Metal Br. PVD	785
299	Black XL	670	708	Copper Br. PVD	785
187	Aged Bronze	785	727	Brushed Brass PVD	785
713	Antique Brass	785	246	Gold PVD	834
030	Copper PVD	735			

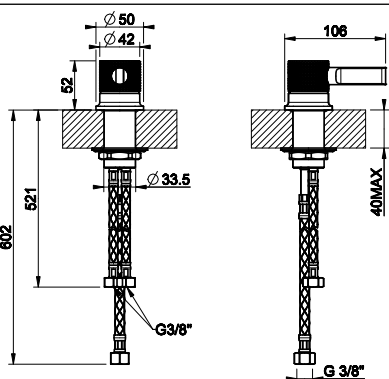
58095

Смеситель для раковины на 3 отверстия, соединительные шланги на 3/8", без донного клапана.
Three-hole basin mixer with spout, flexible hoses with 3/8" connections, without waste.



031	Chrome	497	706	Black Metal PVD	735
149	Finox	670	707	Black Metal Br. PVD	785
299	Black XL	670	708	Copper Br. PVD	785
187	Aged Bronze	785	727	Brushed Brass PVD	785
713	Antique Brass	785	246	Gold PVD	834
030	Copper PVD	735			

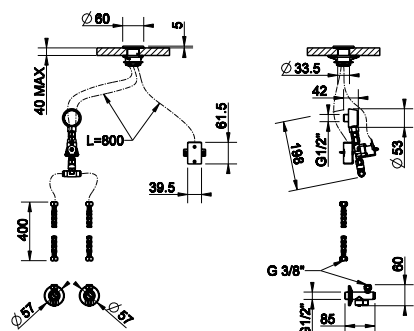
INCISO -



58200

Рычаг удаленного управления.
Counter separate control.

031	Chrome	307 706	Black Metal PVD	454
149	Finox	399 707	Black Metal Br. PVD	485
299	Black XL	384 708	Copper Brushed PVD	485
187	Aged Bronze	485 727	Brushed Brass PVD	485
713	Antique Brass	485 246	Gold PVD	515
030	Copper PVD	454		



30622

Электронное удаленное управление для настенного излива (продолжительность периода открытой воды 15 секунд), с кран-фильтром для регулировки температуры и напора воды.
Electronic separate control for wall-mounted spout (running time 15 seconds) with under-basin mixer to regulate flow rate and temperature.

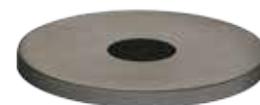
031	Chrome	711 706	Black Metal PVD	925
149	Finox	776 707	Black Metal Br. PVD	996
299	Black XL	776 708	Copper Brushed PVD	996
187	Aged Bronze	996 727	Brushed Brass PVD	996
713	Antique Brass	996 246	Gold PVD	1.067
030	Copper PVD	925		



30624

Электронное удаленное управление для настенного излива (индивидуальное время открытия воды по запросу, мин 5 макс 240 сек), с кран-фильтром для регулировки температуры и напора воды.
Electronic separate control for counter spout (running time to be specified on the order, min 5 max 240 seconds) with underbasin mixer to regulate flow rate and temperature.

031	Chrome	747 706	Black Metal PVD	972
149	Finox	815 707	Black Metal Br. PVD	1.046
299	Black XL	815 708	Copper Brushed PVD	1.046
187	Aged Bronze	1.046 727	Brushed Brass PVD	1.046
713	Antique Brass	1.046 246	Gold PVD	1.120
030	Copper PVD	972		



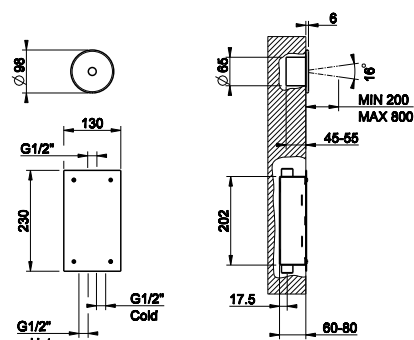
30629 + 33725



30629

Встроенная часть для электронного удаленного управления.
Built-in part for electronic separate control.

031	Chrome	1.285		
-----	--------	-------	--	--



33725

Внешняя часть электронного удаленного управления для настольного излива (открывает воду на 15 секунд) с кран-фильтром для регулировки температуры и напора воды.
External parts for built-in electronic separate control (running time 15 seconds) with temperature and flow rate setting box.

031	Chrome	582 706	Black Metal PVD	821
149	Finox	719 707	Black Metal Br. PVD	842
299	Black XL	719 708	Copper Br. PVD	842
187	Aged Bronze	842 727	Brushed Brass PVD	842
713	Antique Brass	842 246	Gold PVD	1.070
030	Copper PVD	821		

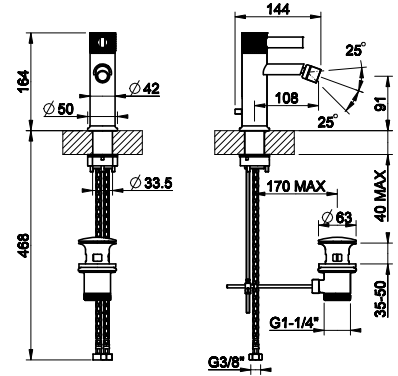


58007

Смеситель однорычажный для биде с донным клапаном на 1 1/4", соединительные шланги на 3/8".
Bidet mixer, with 1 1/4" pop-up waste and flexible hoses with 3/8" connections.



031	Chrome	567 706	Black Metal PVD	839
149	Finox	737 707	Black Metal Br. PVD	895
299	Black XL	709 708	Copper Brushed PVD	895
187	Aged Bronze	895 727	Brushed Brass PVD	895
713	Antique Brass	895 246	Gold PVD	953
030	Copper PVD	839		

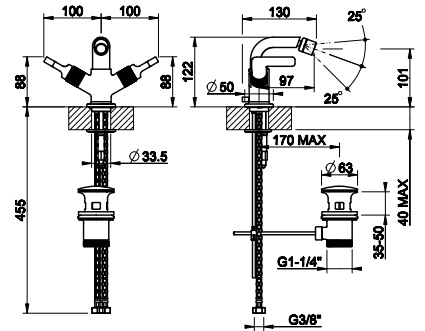


58027

Смеситель однорычажный для биде с донным клапаном на 1 1/4", соединительные шланги на 3/8".
Bidet mixer, with 1 1/4" pop-up waste and flexible hoses with 3/8" connections.



031	Chrome	567 706	Black Metal PVD	839
149	Finox	737 707	Black Metal Br. PVD	895
299	Black XL	709 708	Copper Brushed PVD	895
187	Aged Bronze	895 727	Brushed Brass PVD	895
713	Antique Brass	895 246	Gold PVD	953
030	Copper PVD	839		

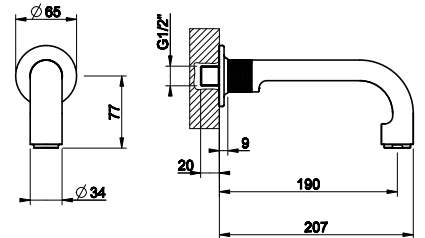


58103

Излив для ванны с удаленным управлением (не входит в комплект).
Bath spout with separate control (not included).

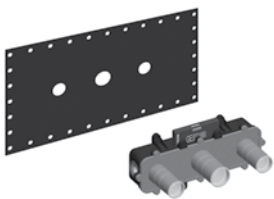


031	Chrome	254 706	Black Metal PVD	377
149	Finox	330 707	Black Metal Br. PVD	402
299	Black XL	318 708	Copper Brushed PVD	402
187	Aged Bronze	402 727	Brushed Brass PVD	402
713	Antique Brass	402 246	Gold PVD	428
030	Copper PVD	377		



45089

Герметичная встраиваемая часть для смесителя с изливом.
Watertight built-in part for mixer with spout.



031	Chrome	401
-----	--------	-----

45089 + 58094

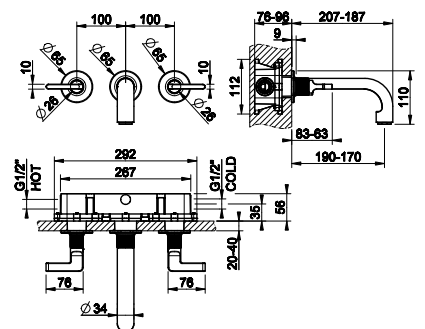


58094

Внешние части настенного смесителя для ванны на 3 отверстия.
External parts for built-in three-hole bath mixer with spout



031	Chrome	649 706	Black Metal PVD	962
149	Finox	844 707	Black Metal Br. PVD	1.027
299	Black XL	812 708	Copper Brushed PVD	1.027
187	Aged Bronze	1.027 727	Brushed Brass PVD	1.027
713	Antique Brass	1.027 246	Gold PVD	1.090
030	Copper PVD	962		



INCISO -

58099 + 58028

58099

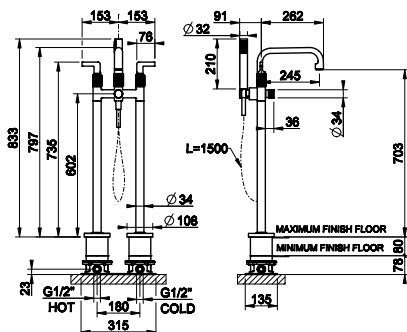
Встраиваемая часть для напольного смесителя для ванны.
Built-in part for freestanding bath mixer.

031 Chrome	698
-------------------	------------

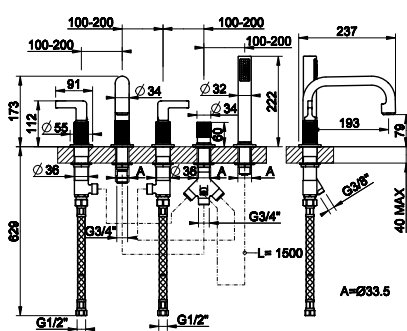


58028

Внешние части для напольного смесителя для ванны с душевой лейкой.
External parts for freestanding external bath mixer with handshower.



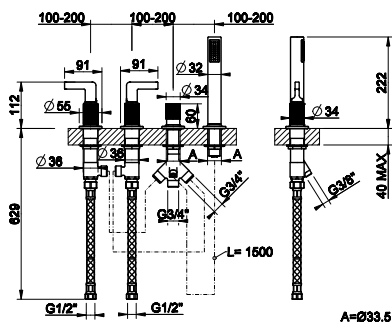
031 Chrome	2.063 706	Black Metal PVD	3.053
149 Finox	2.682 707	Black Metal Br. PVD	3.259
299 Black XL	2.579 708	Copper Brushed PVD	3.259
187 Aged Bronze	3.259 727	Brushed Brass PVD	3.259
713 Antique Brass	3.259 246	Gold PVD	3.465
030 Copper PVD	3.053		



58040

Смеситель для ванны на 5 отверстий с изливом, переключателем, ручным душем и шлангом 1,50 м.
Five-hole bath mixer with spout and diverter, 1,50 m flexible hose and pull-out anti-limestone handshower

031 Chrome	1.678 706	Black Metal PVD	2.484
149 Finox	2.182 707	Black Metal Br. PVD	2.652
299 Black XL	2.098 708	Copper Brushed PVD	2.652
187 Aged Bronze	2.652 727	Brushed Brass PVD	2.652
713 Antique Brass	2.652 246	Gold PVD	2.819
030 Copper PVD	2.484		



58043

Смеситель для ванны на 4 отверстия для наполнения через слив-перелив, подключение на 1/2", переключатель, шланг 1,50 м, убирающаяся душевая лейка с легкой очисткой.
Four-hole bath mixer, diverter, 1/2" connections, 1,50 m flexible hose and pull-out handshower. To be used with overflow filler.

031 Chrome	1.360 706	Black Metal PVD	2.014
149 Finox	1.769 707	Black Metal Br. PVD	2.150
299 Black XL	1.700 708	Copper Brushed PVD	2.150
187 Aged Bronze	2.150 727	Brushed Brass PVD	2.150
713 Antique Brass	2.150 246	Gold PVD	2.285
030 Copper PVD	2.014		

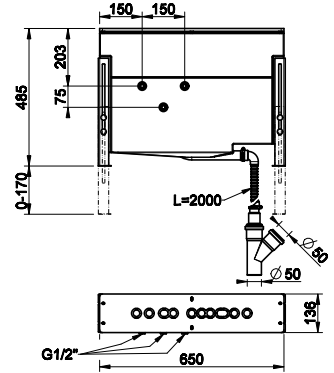




01669

Монтажный бокс с каркасом для смесителя на борт ванны.
Mounting box for bath group.

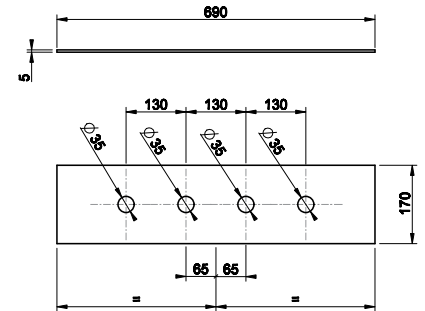
031	Chrome	1.245
------------	--------	--------------



01664

Пластина на 4 отверстия для монтажного бокса.
Four-hole finishing plate for mounting box.

031	Chrome	409 706	Black Metal PVD	530
149	Finox	411 707	Black Metal Br. PVD	565
299	Black XL	394 708	Copper Brushed PVD	565
187	Aged Bronze	565 727	Brushed Brass PVD	565
713	Antique Brass	519 246	Gold PVD	599
030	Copper PVD	486		



01758

Пластина на 5 отверстий для монтажного бокса.
Five-hole finishing plate for mounting box.

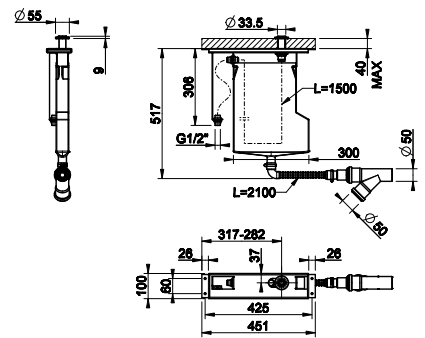
031	Chrome	328 706	Black Metal PVD	486
149	Finox	411 707	Black Metal Br. PVD	565
299	Black XL	394 708	Copper Brushed PVD	565
187	Aged Bronze	565 727	Brushed Brass PVD	565
713	Antique Brass	519 246	Gold PVD	599
030	Copper PVD	530		



01813

Система сбора воды для шланга ручного душа, монтируемого на борт ванны, не подходит для артикулов 01669, 01658, 01663, 01664.
Pull-out handshower drain kit. Not fitting items 01669, 01658, 01663 and 01664.

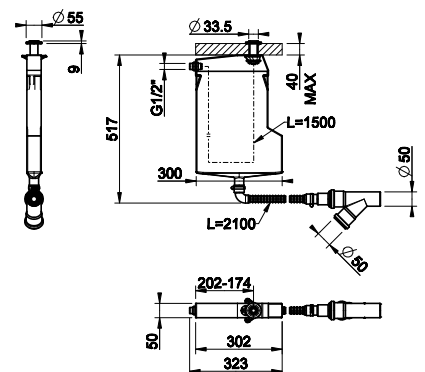
031	Chrome	763 706	Black Metal PVD	992
149	Finox	916 707	Black Metal Br. PVD	1.069
299	Black XL	916 708	Copper Brushed PVD	1.069
187	Aged Bronze	1.069 727	Brushed Brass PVD	1.069
713	Antique Brass	1.069 246	Gold PVD	1.145
030	Copper PVD	992		



01814

Система сбора воды для шланга ручного душа, монтируемого на борт ванны, не подходит для артикулов 01669, 01658, 01663, 01664.
Pull-out handshower drain kit. Not fitting items 01669, 01658, 01663 and 01664.

031	Chrome	582 706	Black Metal PVD	757
149	Finox	699 707	Black Metal Br. PVD	816
299	Black XL	699 708	Copper Brushed PVD	816
187	Aged Bronze	816 727	Brushed Brass PVD	816
713	Antique Brass	816 246	Gold PVD	874
030	Copper PVD	757		





INCISO
davidrockwell for
GESSI®

GISSI®

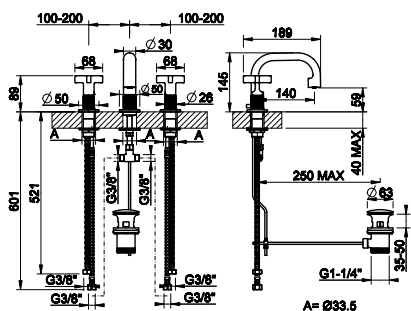


INCISO +

58111

Смеситель для раковины на 3 отверстия с донным клапаном на 1 1/4", соединительные шланги на 3/8".

Three-hole basin mixer with spout, with 1 1/4" pop-up waste and flexible hoses with 3/8" connections.



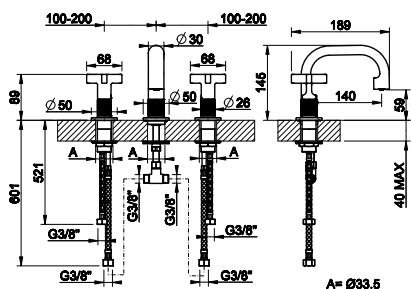
031	Chrome	1.029 706	Black Metal PVD	1.524
149	Finox	1.338 707	Black Metal Br. PVD	1.627
299	Black XL	1.287 708	Copper Brushed PVD	1.627
187	Aged Bronze	1.627 727	Brushed Brass PVD	1.627
713	Antique Brass	1.627 246	Gold PVD	1.729
030	Copper PVD	1.524		



58112

Смеситель для раковины на 3 отверстия, соединительные шланги на 3/8", без донного клапана.

Three-hole basin mixer with spout, flexible hoses with 3/8" connections, without waste.



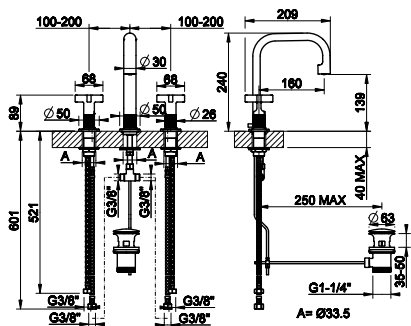
031	Chrome	1.010 706	Black Metal PVD	1.495
149	Finox	1.314 707	Black Metal Br. PVD	1.597
299	Black XL	1.263 708	Copper Brushed PVD	1.597
187	Aged Bronze	1.597 727	Brushed Brass PVD	1.597
713	Antique Brass	1.597 246	Gold PVD	1.698
030	Copper PVD	1.495		



58113

Смеситель для раковины на 3 отверстия с донным клапаном на 1 1/4", соединительные шланги на 3/8".

Three-hole basin mixer with spout, with 1 1/4" pop-up waste and flexible hoses with 3/8" connections.



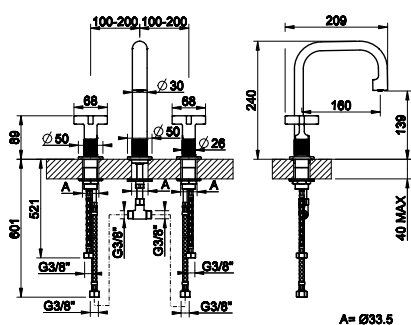
031	Chrome	1.029 706	Black Metal PVD	1.524
149	Finox	1.338 707	Black Metal Br. PVD	1.627
299	Black XL	1.287 708	Copper Brushed PVD	1.627
187	Aged Bronze	1.627 727	Brushed Brass PVD	1.627
713	Antique Brass	1.627 246	Gold PVD	1.729
030	Copper PVD	1.524		



58114

Смеситель для раковины на 3 отверстия, соединительные шланги на 3/8", без донного клапана.

Three-hole basin mixer with spout, flexible hoses with 3/8" connections, without waste.



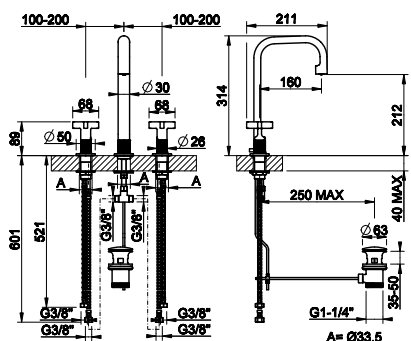
031	Chrome	1.010 706	Black Metal PVD	1.495
149	Finox	1.314 707	Black Metal Br. PVD	1.597
299	Black XL	1.263 708	Copper Brushed PVD	1.597
187	Aged Bronze	1.597 727	Brushed Brass PVD	1.597
713	Antique Brass	1.597 246	Gold PVD	1.698
030	Copper PVD	1.495		



58115

Смеситель для раковины на 3 отверстия с донным клапаном на 1 1/4", соединительные шланги на 3/8".

Three-hole basin mixer with spout, with 1 1/4" pop-up waste and flexible hoses with 3/8" connections.



031	Chrome	1.029 706	Black Metal PVD	1.524
149	Finox	1.338 707	Black Metal Br. PVD	1.627
299	Black XL	1.287 708	Copper Brushed PVD	1.627
187	Aged Bronze	1.627 727	Brushed Brass PVD	1.627
713	Antique Brass	1.627 246	Gold PVD	1.729
030	Copper PVD	1.524		

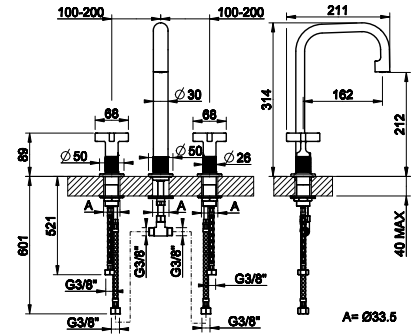




58116

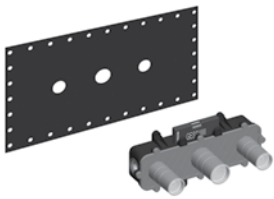
Смеситель для раковины на 3 отверстия, соединительные шланги на 3/8", без донного клапана.
Three-hole basin mixer with spout, flexible hoses with 3/8" connections, without waste.

031	Chrome	1.010 706	Black Metal PVD	1.495
149	Finox	1.314 707	Black Metal Br. PVD	1.597
299	Black XL	1.263 708	Copper Brushed PVD	1.597
187	Aged Bronze	1.597 727	Brushed Brass PVD	1.597
713	Antique Brass	1.597 246	Gold PVD	1.698
030	Copper PVD	1.495		



45089

Герметичная встраиваемая часть для смесителя с изливом.
Watertight built-in part for mixer with spout.



031	Chrome	401
-----	--------	-----

45089 + 58190

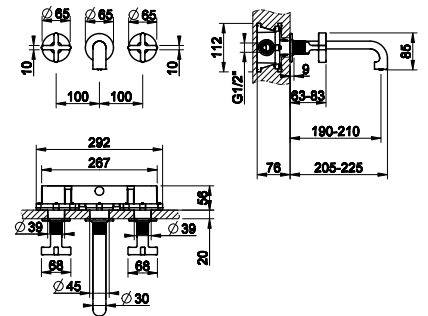


58190

Внешние части для встраиваемого смесителя для раковины на 3 отверстия с изливом, без донного клапана.
External parts for built-in three-hole basin mixer with spout, without waste.

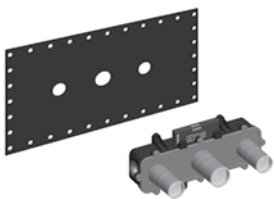


031	Chrome	682 706	Black Metal PVD	1.009
149	Finox	887 707	Black Metal Br. PVD	1.078
299	Black XL	853 708	Copper Brushed PVD	1.078
187	Aged Bronze	1.078 727	Brushed Brass PVD	1.078
713	Antique Brass	1.078 246	Gold PVD	1.145
030	Copper PVD	1.009		



45089

Герметичная встраиваемая часть для смесителя с изливом.
Watertight built-in part for mixer with spout.



031	Chrome	401
-----	--------	-----

45089 + 58192

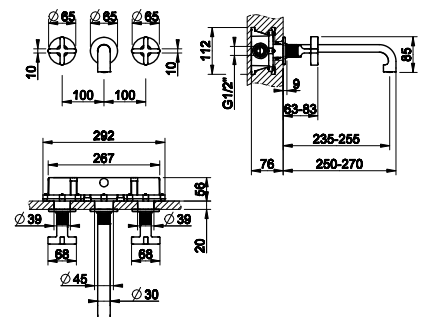


58192

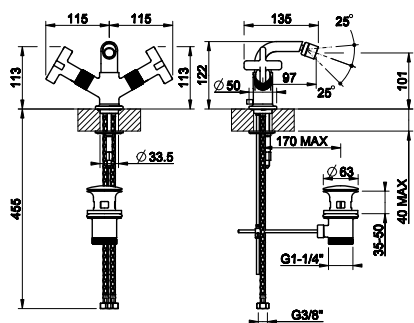
Внешние части для встраиваемого смесителя для раковины на 3 отверстия с изливом, без донного клапана.
External parts for built-in three-hole basin mixer with spout, without waste.



031	Chrome	695 706	Black Metal PVD	1.029
149	Finox	904 707	Black Metal Br. PVD	1.099
299	Black XL	869 708	Copper Brushed PVD	1.099
187	Aged Bronze	1.099 727	Brushed Brass PVD	1.099
713	Antique Brass	1.099 246	Gold PVD	1.169
030	Copper PVD	1.029		



INCISO +



58127

Смеситель однорычажный для биде с донным клапаном на 1 1/4", соединительные шланги на 3/8".

Bidet mixer, with 1 1/4" pop-up waste and flexible hoses with 3/8" connections.

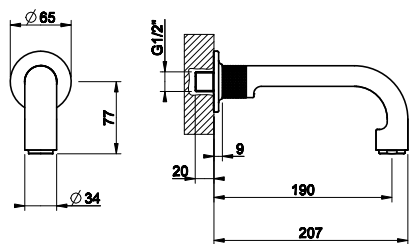
031	Chrome	618 706	Black Metal PVD	915
149	Finox	834 707	Black Metal Br. PVD	977
299	Black XL	834 708	Copper Brushed PVD	977
187	Aged Bronze	977 727	Brushed Brass PVD	977
713	Antique Brass	977 246	Gold PVD	1.038
030	Copper PVD	915		



58103

Излив для ванны с удаленным управлением (не входит в комплект).

Bath spout with separate control (not included).



031	Chrome	254 706	Black Metal PVD	377
149	Finox	330 707	Black Metal Br. PVD	402
299	Black XL	318 708	Copper Brushed PVD	402
187	Aged Bronze	402 727	Brushed Brass PVD	402
713	Antique Brass	402 246	Gold PVD	428
030	Copper PVD	377		

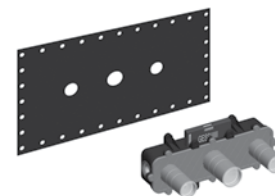


45089 + 58194

45089

Герметичная встраиваемая часть для смесителя с изливом.

Watertight built-in part for mixer with spout.

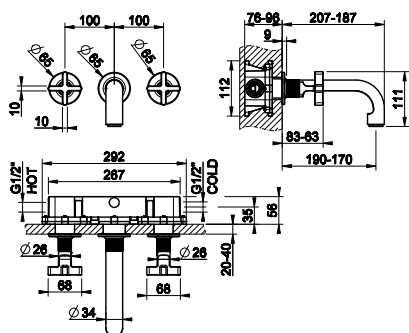


031	Chrome	401		
-----	--------	-----	--	--

58194

Внешние части настенного смесителя для ванны на 3 отверстия.

External parts for built-in three-hole bath mixer with spout



031	Chrome	700 706	Black Metal PVD	1.037
149	Finox	910 707	Black Metal Br. PVD	1.107
299	Black XL	875 708	Copper Brushed PVD	1.107
187	Aged Bronze	1.107 727	Brushed Brass PVD	1.107
713	Antique Brass	1.107 246	Gold PVD	1.177
030	Copper PVD	1.037		



58099

Встраиваемая часть для напольного смесителя для ванны.
Built-in part for freestanding bath mixer.



031	Chrome	698
-----	--------	-----

58099 + 58128

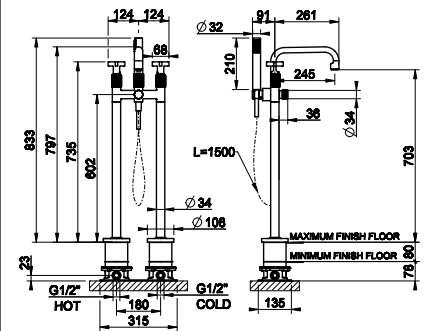


58128

Внешние части для напольного смесителя для ванны с душевой лейкой.
External parts for freestanding external bath mixer with handshower.



031	Chrome	2.117	706	Black Metal PVD	3.133
149	Finox	2.752	707	Black Metal Br. PVD	3.344
299	Black XL	2.647	708	Copper Brushed PVD	3.344
187	Aged Bronze	3.344	727	Brushed Brass PVD	3.344
713	Antique Brass	3.344	246	Gold PVD	3.557
030	Copper PVD	3.133			

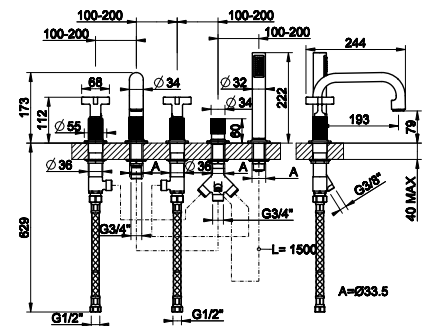


58140

Смеситель для ванны на 5 отверстий с изливом, переключателем, ручным душем и шлангом 1,50 м.
Five-hole bath mixer with spout and diverter, 1,50 m flexible hose and pull-out anti-limestone handshower



031	Chrome	1.732	706	Black Metal PVD	2.563
149	Finox	2.252	707	Black Metal Br. PVD	2.737
299	Black XL	2.165	708	Copper Brushed PVD	2.737
187	Aged Bronze	2.737	727	Brushed Brass PVD	2.737
713	Antique Brass	2.737	246	Gold PVD	2.909
030	Copper PVD	2.563			

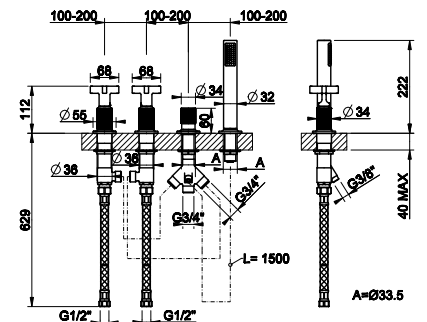


58143

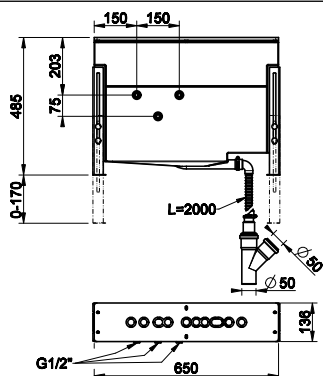
Смеситель для ванны на 4 отверстия для наполнения через слив-перелив, подключение на 1/2", переключатель, шланг 1,50 м, убирающаяся душевая лейка с легкой очисткой.
Four-hole bath mixer, diverter, 1/2" connections, 1,50 m flexible hose and pull-out handshower. To be used with overflow filler.



031	Chrome	1.414	706	Black Metal PVD	2.093
149	Finox	1.839	707	Black Metal Br. PVD	2.234
299	Black XL	1.768	708	Copper Brushed PVD	2.234
187	Aged Bronze	2.234	727	Brushed Brass PVD	2.234
713	Antique Brass	2.234	246	Gold PVD	2.377
030	Copper PVD	2.093			



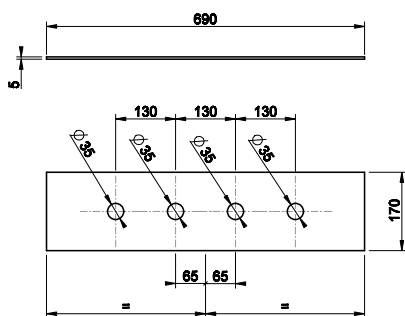
INCISO +



01669

Монтажный бокс с каркасом для смесителя на борт ванны.
Mounting box for bath group.

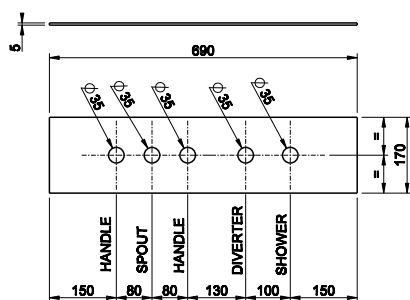
031	Chrome	1.245
-----	--------	-------



01664

Пластина на 4 отверстия для монтажного бокса.
Four-hole finishing plate for mounting box.

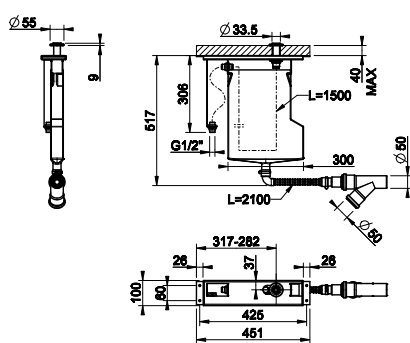
031	Chrome	409 706	Black Metal PVD	530
149	Finox	411 707	Black Metal Br. PVD	565
299	Black XL	394 708	Copper Brushed PVD	565
187	Aged Bronze	565 727	Brushed Brass PVD	565
713	Antique Brass	519 246	Gold PVD	599
030	Copper PVD	486		



01758

Пластина на 5 отверстий для монтажного бокса.
Five-hole finishing plate for mounting box.

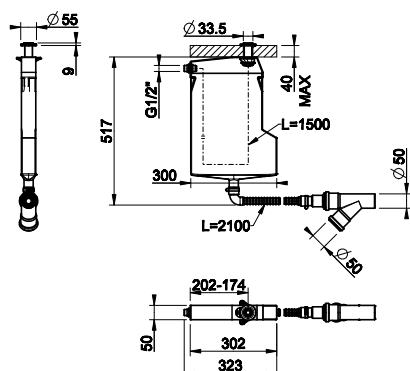
031	Chrome	328 706	Black Metal PVD	486
149	Finox	411 707	Black Metal Br. PVD	565
299	Black XL	394 708	Copper Brushed PVD	565
187	Aged Bronze	565 727	Brushed Brass PVD	565
713	Antique Brass	519 246	Gold PVD	599
030	Copper PVD	530		



01813

Система сбора воды для шланга ручного душа, монтируемого на борт ванны, не подходит для артикулов 01669, 01658, 01663, 01664.
Pull-out handshower drain kit. Not fitting items 01669, 01658, 01663 and 01664.

031	Chrome	763 706	Black Metal PVD	992
149	Finox	916 707	Black Metal Br. PVD	1.069
299	Black XL	916 708	Copper Brushed PVD	1.069
187	Aged Bronze	1.069 727	Brushed Brass PVD	1.069
713	Antique Brass	1.069 246	Gold PVD	1.145
030	Copper PVD	992		



01814

Система сбора воды для шланга ручного душа, монтируемого на борт ванны, не подходит для артикулов 01669, 01658, 01663, 01664.
Pull-out handshower drain kit. Not fitting items 01669, 01658, 01663 and 01664.

031	Chrome	582 706	Black Metal PVD	757
149	Finox	699 707	Black Metal Br. PVD	816
299	Black XL	699 708	Copper Brushed PVD	816
187	Aged Bronze	816 727	Brushed Brass PVD	816
713	Antique Brass	816 246	Gold PVD	874
030	Copper PVD	757		





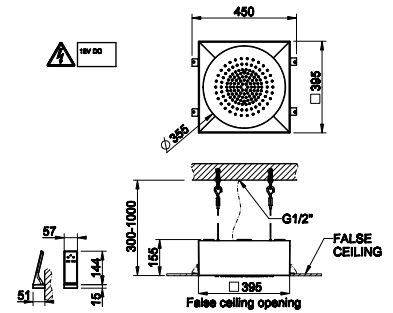
INCISO
PRIVATE WELLNESS
davidrockwell for
GESSI®



57601 + 57018



CLEANING KIT R4185 INCLUDED



57601

Встраиваемая в потолок душевая система Ø350 с функциями ТРОПИЧЕСКИЙ ЛИВЕНЬ и ХРОМОТЕРАПИЯ. Комплектуется пультом управления с держателем. Требуется источник питания на 12В. Приобретается опционально блок питания арт. 57099. Артикул необходимо доукомплектовать панелью 57018 в желаемой отделке..
 Ø350 built-in shower system, with RAINFALL function and chromotherapy effect, for false-ceiling installation. Electronic parts included with remote watertight control and hook. To be matched with 12V power supply, not included. Optional 12 VDC power supply item 57099. To be completed with cover 57018.

279	Bianco CN	White CN	3.187
-----	-----------	----------	-------

57018

Накладная панель Ø350.
 Cover for Ø350. multifunction system.

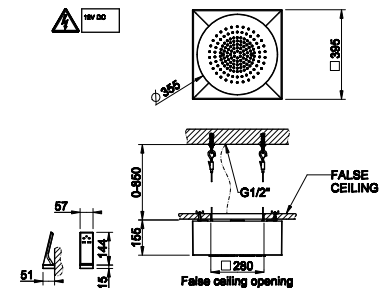
238	Mirror Steel	239	Steel Brushed	607
299	Nero XL/Black XL			1.553
713	Antique Brass	187	Aged Bronze	1.553
706	Black Metal PVD	030	Copper PVD	1.553
707	Black Metal Br. PVD	708	Copper Brushed PVD	1.553
246	Gold PVD	727	Brass brushed PVD	1.864



57603 + 57018



CLEANING KIT R4185 INCLUDED



57603

Встраиваемая в потолок душевая система Ø350 с функциями ТРОПИЧЕСКИЙ ЛИВЕНЬ и ХРОМОТЕРАПИЯ. Комплектуется пультом управления с держателем. Требуется источник питания на 12В. Приобретается опционально блок питания арт. 57099. Артикул необходимо доукомплектовать панелью 57018 в желаемой отделке..
 Ø350 exposed shower system, with RAINFALL function and chromotherapy effect, for ceiling/false-ceiling installation, with white frame. Electronic parts included with remote watertight control and hook. To be matched with 12V power supply, not included. Optional 12 VDC power supply item 57099. To be completed with cover 57018.

279	Bianco CN	White CN	3.039
-----	-----------	----------	-------

57018

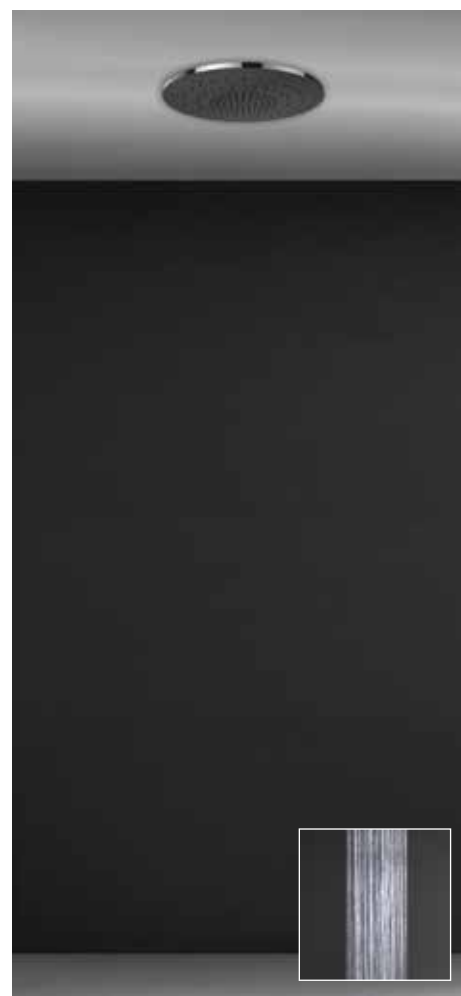
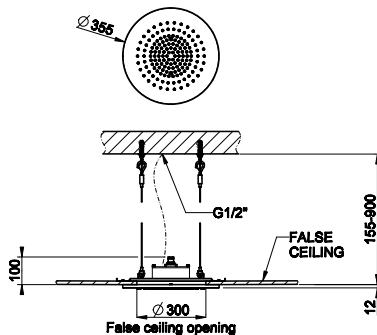
Накладная панель Ø350.
 Cover for Ø350. multifunction system.

238	Mirror Steel	239	Steel Brushed	607
299	Nero XL/Black XL			1.553
713	Antique Brass	187	Aged Bronze	1.553
706	Black Metal PVD	030	Copper PVD	1.553
707	Black Metal Br. PVD	708	Copper Brushed PVD	1.553
246	Gold PVD	727	Brass brushed PVD	1.864

57803 + 57018



CLEANING KIT R4185 INCLUDED



57803

Встраиваемая в потолок душевая система Ø350 с функцией ТРОПИЧЕСКИЙ ЛИВЕНЬ.
 Артикул необходимо доукомплектовать панелью 57018 в желаемой отделке.
 Ø350 shower system for false-ceiling installation. With RAINFALL function. To be completed with cover 57018.

238	Mirror Steel	1.107
-----	--------------	-------

57018

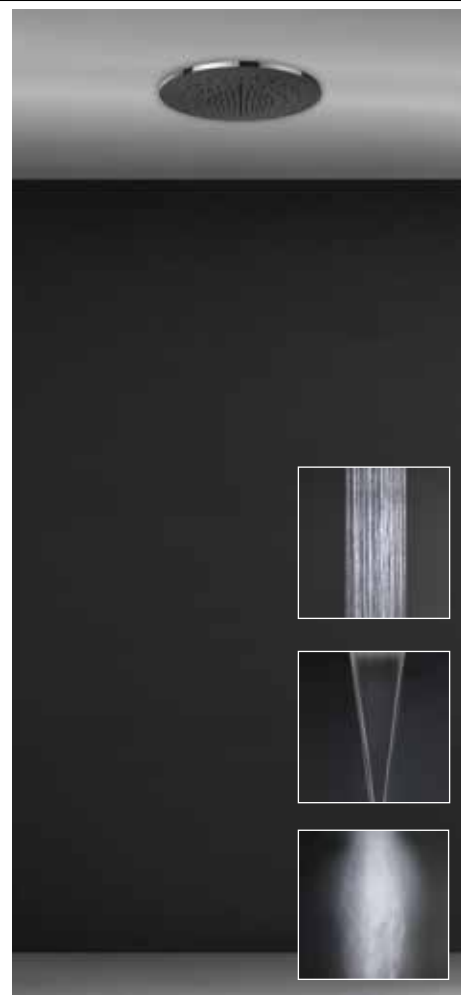
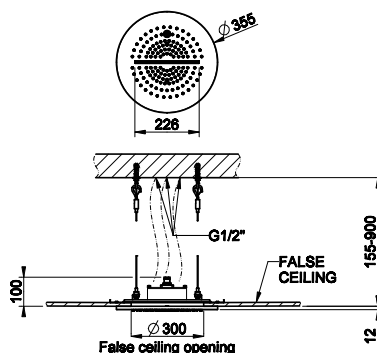
Накладная панель Ø350.
 Cover for Ø350. multifunction system.

238	Mirror Steel	239	Steel Brushed	607
299	Nero XL/Black XL			1.553
713	Antique Brass	187	Aged Bronze	1.553
706	Black Metal PVD	030	Copper PVD	1.553
707	Black Metal Br. PVD	708	Copper Brushed PVD	1.553
246	Gold PVD	727	Brass brushed PVD	1.864

57809 + 57873



CLEANING KIT R4185 INCLUDED



57809

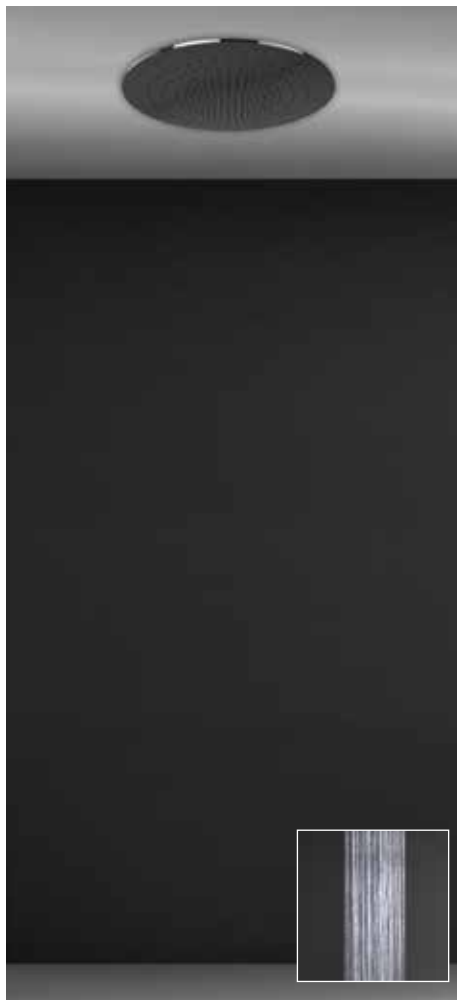
Встраиваемая в потолок душевая система Ø350 с функцией ТРОПИЧЕСКИЙ ЛИВЕНЬ/
 ВОДОПАД/РАСПЫЛЕНИЕ.. Артикул необходимо доукомплектовать панелью 57873 в
 желаемой отделке.
 Ø350 multifunction system for false-ceiling installation. With RAINFALL/WATERFALL/MIST function.
 To be completed with cover 57873.

238	Mirror Steel	1.243
-----	--------------	-------

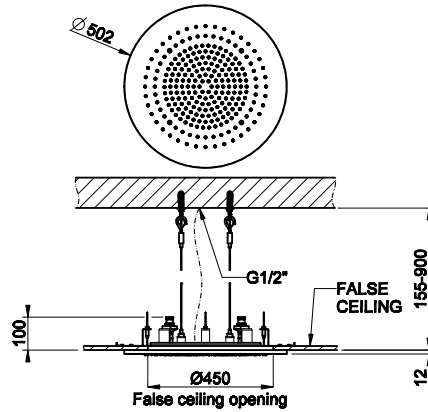
57873

Накладная панель Ø350.
 Cover for Ø350. multifunction system.

238	Mirror Steel	239	Steel Brushed	607
299	Nero XL/Black XL			1.553
713	Antique Brass	187	Aged Bronze	1.553
706	Black Metal PVD	030	Copper PVD	1.553
707	Black Metal Br. PVD	708	Copper Brushed PVD	1.553
246	Gold PVD	727	Brass brushed PVD	1.864



57903 + 57973



CLEANING KIT R4185 INCLUDED

57903

Встраиваемая в потолок душевая система Ø500 с функцией ТРОПИЧЕСКИЙ ЛИВЕНЬ.. Артикул необходимо доукомплектовать панелью 57973 в желаемой отделке

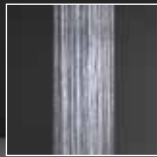
Ø500 shower system for false-ceiling installation. With RAINFALL function. To be completed with cover 57973.

238	Mirror Steel	2.040
-----	--------------	-------

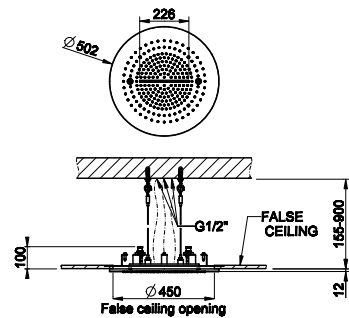
57973

Накладная панель Ø500.
Cover for Ø500. multifunction system.

238	Mirror Steel	239	Steel Brushed	795
299	Nero XL/Black XL			1.820
713	Antique Brass	187	Aged Bronze	1.820
706	Black Metal PVD	030	Copper PVD	1.820
707	Black Metal Br. PVD	708	Copper Brushed PVD	1.820
246	Gold PVD	727	Brass brushed PVD	2.184



57909 + 57975



CLEANING KIT R4185 INCLUDED

57909

Встраиваемая в потолок душевая система Ø500 с функцией ТРОПИЧЕСКИЙ ЛИВЕНЬ/ВОДОПАД/РАСПЫЛЕНИЕ.. Артикул необходимо доукомплектовать панелью 57975 в желаемой отделке.

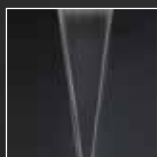
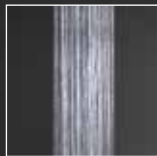
Ø500 multifunction system for false-ceiling installation. With RAINFALL/WATERFALL/MIST function. To be completed with cover 57975.

238	Mirror Steel	2.312
-----	--------------	-------

57975

Накладная панель Ø500.
Cover for Ø500. multifunction system.

238	Mirror Steel	239	Steel Brushed	795
299	Nero XL/Black XL			1.820
713	Antique Brass	187	Aged Bronze	1.820
706	Black Metal PVD	030	Copper PVD	1.820
707	Black Metal Br. PVD	708	Copper Brushed PVD	1.820
246	Gold PVD	727	Brass brushed PVD	2.184

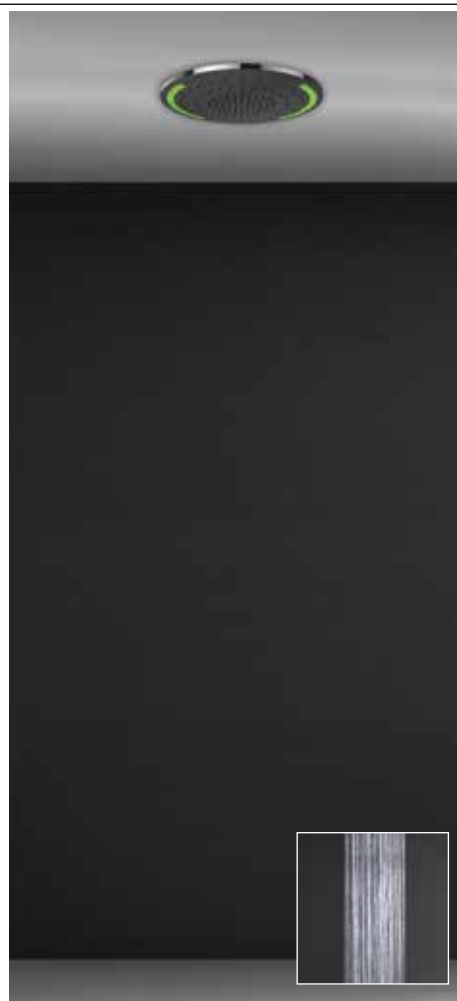
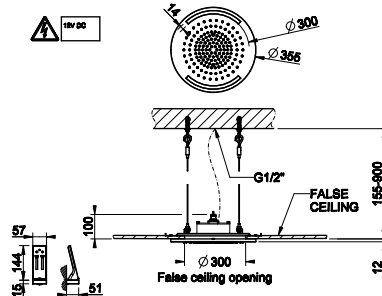


INCISO WELLNESS

57823 + 57879



CLEANING KIT R4185 INCLUDED



57823

Встраиваемая в потолок душевая система Ø350 с функциями ТРОПИЧЕСКИЙ ЛИВЕНЬ и ХРОМОТЕРАПИЯ. Комплектуется пультом управления с держателем. Требуется источник питания на 12В. Приобретается опционально блок питания арт. 57099. Артикул необходимо доукомплектовать панелью 57979 в желаемой отделке.
 Ø350 shower system with RAINFALL function and chromotherapy effect, for false-ceiling installation..
 Electronic parts included with remote watertight control and hook. To be matched with 12V power supply, not included. Optional 12 VDC power supply item 57099. To be completed with cover 57979.

238	Mirror Steel		2.232
-----	--------------	--	-------

57879

Накладная панель Ø350.
 Cover for Ø350. multifunction system.

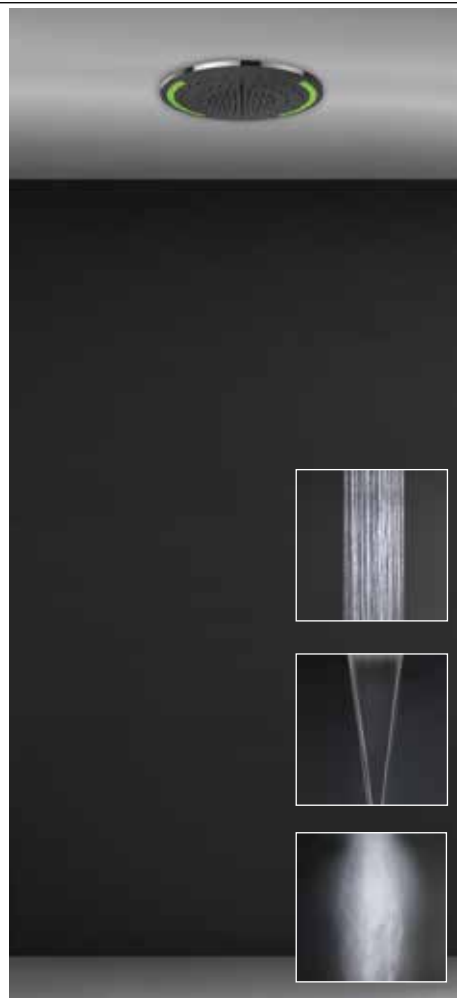
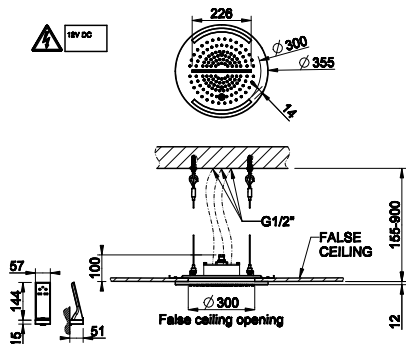
238	Mirror Steel	239	Steel Brushed	1.438
299	Nero XL/Black XL			2.103
713	Antique Brass	187	Aged Bronze	2.103
706	Black Metal PVD	030	Copper PVD	2.103
707	Black Metal Br. PVD	708	Copper Brushed PVD	2.103
246	Gold PVD	727	Brass brushed PVD	2.524



57829 + 57878



CLEANING KIT R4185 INCLUDED



57829

Встраиваемая в потолок душевая система Ø350 с функциями ТРОПИЧЕСКИЙ ЛИВЕНЬ/ ВОДОПАД/РАСПЫЛЕНИЕ и ХРОМОТЕРАПИЯ. Комплектуется пультом управления с держателем. Требуется источник питания на 12В. Приобретается опционально блок питания арт. 57099. Артикул необходимо доукомплектовать панелью 57878 в желаемой отделке.
 Ø350 multifunction system with RAINFALL/WATERFALL/MIST function and chromotherapy effect, for ceiling/false-ceiling installation. Electronic parts included with remote watertight control and hook. To be matched with 12V power supply, not included. Optional 12 VDC power supply item 57099. To be completed with cover 57878.

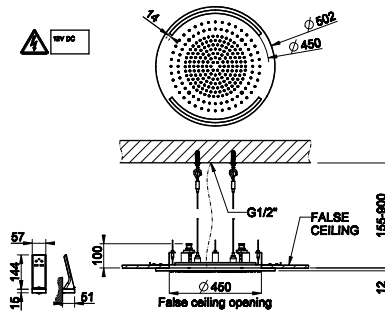
238	Mirror Steel		2.402
-----	--------------	--	-------

57878

Накладная панель Ø350.
 Cover for Ø350. multifunction system.

238	Mirror Steel	239	Steel Brushed	1.438
299	Nero XL/Black XL			2.103
713	Antique Brass	187	Aged Bronze	2.103
706	Black Metal PVD	030	Copper PVD	2.103
707	Black Metal Br. PVD	708	Copper Brushed PVD	2.103
246	Gold PVD	727	Brass brushed PVD	2.524

57923 + 57979



CLEANING KIT R4185 INCLUDED

57923

Встраиваемая в потолок душевая система Ø500 с функциями ТРОПИЧЕСКИЙ ЛИВЕНЬ и ХРОМОТЕРАПИЯ. Комплектуется пультом управления с держателем. Требуется источник питания на 12В. Приобретается опционально блок питания арт. 57099. Артикул необходимо доукомплектовать панелью 57979 в желаемой отделке.

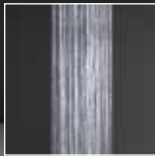
Ø500 shower system with RAINFALL function and chromotherapy effect, for false-ceiling installation. Electronic parts included with remote watertight control and hook. To be matched with 12V power supply, not included. Optional 12 VDC power supply item 57099. To be completed with cover 57979.

238	Mirror Steel	2.889
-----	--------------	-------

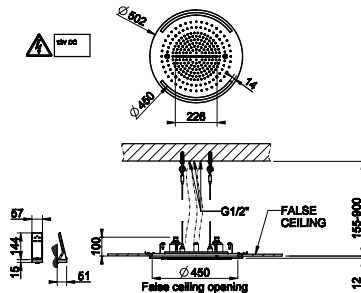
57979

Накладная панель Ø500.
Cover for Ø500. multifunction system.

238	Mirror Steel	239	Steel Brushed	1.723
299	Nero XL/Black XL			2.388
713	Antique Brass	187	Aged Bronze	2.388
706	Black Metal PVD	030	Copper PVD	2.388
707	Black Metal Br. PVD	708	Copper Brushed PVD	2.388
246	Gold PVD	727	Brass brushed PVD	2.866



57929 + 57980



CLEANING KIT R4185 INCLUDED

57929

Встраиваемая в потолок душевая система Ø500 с функциями ТРОПИЧЕСКИЙ ЛИВЕНЬ/ ВОДОПАД/РАСПЫЛЕНИЕ и ХРОМОТЕРАПИЯ. Комплектуется пультом управления с держателем. Требуется источник питания на 12В. Приобретается опционально блок питания арт. 57099. Артикул необходимо доукомплектовать панелью 57980 в желаемой отделке.

Ø500 multifunction system with RAINFALL/WATERFALL/MIST function and chromotherapy effect, for ceiling/false-ceiling installation. Electronic parts included with remote watertight control and hook. To be matched with 12V power supply, not included. Optional 12 VDC power supply item 57099. To be completed with cover 57980.

238	Mirror Steel	3.159
-----	--------------	-------

57980

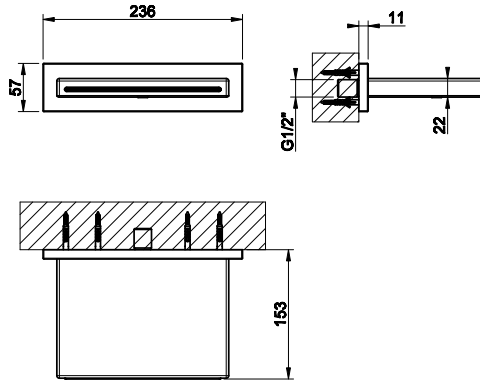
Накладная панель Ø500.
Cover for Ø500. multifunction system.

238	Mirror Steel	239	Steel Brushed	1.723
299	Nero XL/Black XL			2.388
713	Antique Brass	187	Aged Bronze	2.388
706	Black Metal PVD	030	Copper PVD	2.388
707	Black Metal Br. PVD	708	Copper Brushed PVD	2.388
246	Gold PVD	727	Brass brushed PVD	2.866



20293

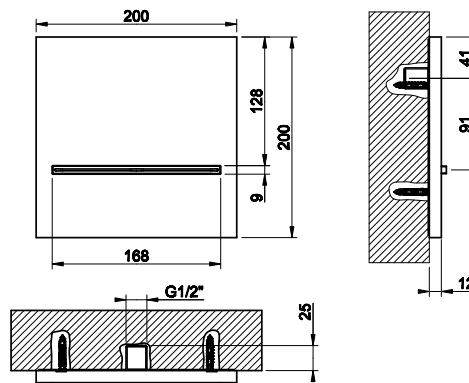
Каскадный излив для душа, настенное крепление, с удаленным управлением (не входит в комплект).
Wall-fixing cascade shower spout with separate control (not included).



238	Mirror Steel	239	Steel Brushed	1.305
299	Nero XL/Black XL			1.632
713	Antique Brass	187	Aged Bronze	1.933
706	Black Metal PVD	030	Copper PVD	1.933
707	Black Metal Br. PVD	708	Copper Brushed PVD	1.933
246	Gold PVD	727	Brass brushed PVD	2.062

20295

Каскадный излив для душа, настенное крепление, с удаленным управлением (не входит в комплект).
Wall-fixing cascade shower spout with separate control (not included).



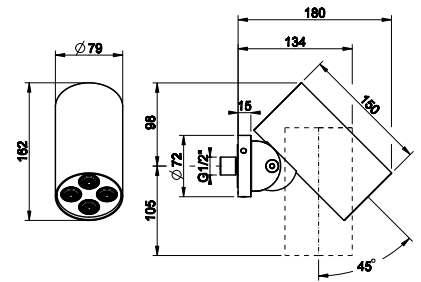
238	Mirror Steel	239	Steel Brushed	857
299	Nero XL/Black XL			1.157
713	Antique Brass	187	Aged Bronze	1.354
706	Black Metal PVD	030	Copper PVD	1.268
707	Black Metal Br. PVD	708	Copper Brushed PVD	1.354
246	Gold PVD	727	Brass brushed PVD	1.439

57261

Душевая головка шарнирная для настенного крепления на 1/2" с защитой от известкового налёта. Multi-Spray.
Wall-mounted adjustable and anti-limestone showerhead. Multi-Spray function.



031	Chrome	819 706	Black Metal PVD	1.213
149	Finox	1.107 707	Black Metal Br. PVD	1.294
299	Black XL	1.107 708	Copper Brushed PVD	1.294
187	Aged Bronze	1.294 727	Brushed Brass PVD	1.294
713	Antique Brass	1.294 246	Gold PVD	1.377
030	Copper PVD	1.213		

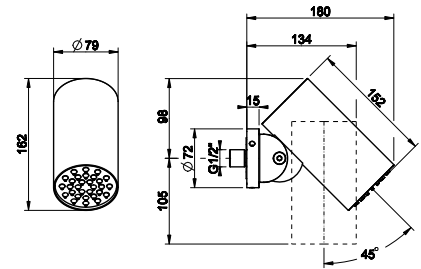


57263

Душевая головка шарнирная для настенного крепления на 1/2" с защитой от известкового налёта. ЛИБЕНЬ.
Wall-mounted adjustable and anti-limestone showerhead. Rain function.



031	Chrome	819 706	Black Metal PVD	1.213
149	Finox	1.107 707	Black Metal Br. PVD	1.294
299	Black XL	1.107 708	Copper Brushed PVD	1.294
187	Aged Bronze	1.294 727	Brushed Brass PVD	1.294
713	Antique Brass	1.294 246	Gold PVD	1.377
030	Copper PVD	1.213		

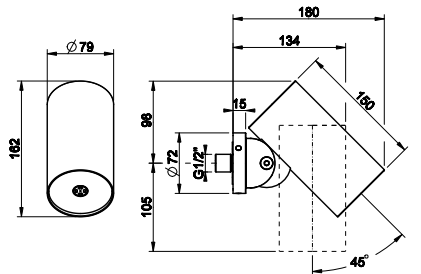


57265

Душевая головка шарнирная для настенного крепления на 1/2" с защитой от известкового налёта. РАСПЫЛЕНИЕ.
Wall-mounted adjustable and anti-limestone showerhead. Mist function.



031	Chrome	782 706	Black Metal PVD	1.157
149	Finox	1.055 707	Black Metal Br. PVD	1.235
299	Black XL	1.055 708	Copper Brushed PVD	1.235
187	Aged Bronze	1.235 727	Brushed Brass PVD	1.235
713	Antique Brass	1.235 246	Gold PVD	1.313
030	Copper PVD	1.157		

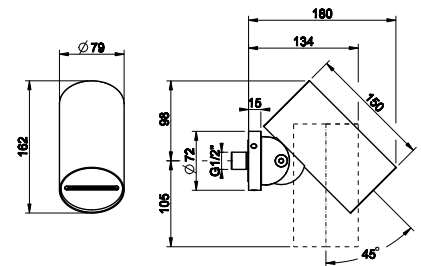


57267

Душевая головка шарнирная для настенного крепления на 1/2" с защитой от известкового налёта. ВОДОПАД.
Wall-mounted adjustable and anti-limestone showerhead. Waterfall function.

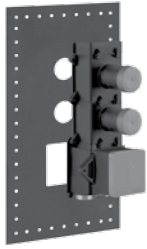


031	Chrome	919 706	Black Metal PVD	1.360
149	Finox	1.242 707	Black Metal Br. PVD	1.453
299	Black XL	1.242 708	Copper Brushed PVD	1.453
187	Aged Bronze	1.453 727	Brushed Brass PVD	1.453
713	Antique Brass	1.453 246	Gold PVD	1.544
030	Copper PVD	1.360		





INCISO
PRIVATE WELLNESS
davidrockwell for
GESSI®



43103

Встраиваемые части для термостатического смесителя высокой производительности, подключение на 3/4", с вертикальной/горизонтальной установкой с ДВУМЯ НЕЗАВИСИМЫМИ ВЫХОДАМИ.

Built-in thermostatic high-capacity mixer, 3/4" connections. Vertical/horizontal setting up with TWO SEPARATE EXITS.

031	Chrome	881
------------	--------	------------

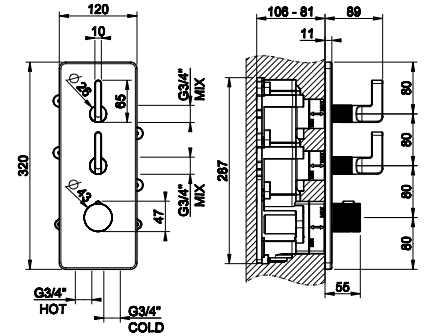
58204

Внешние части встроенного термостатического смесителя высокой производительности, резьба 3/4", вертикальная или горизонтальная установка, с ДВУМЯ НЕЗАВИСИМЫМИ ВЫХОДАМИ. Рабочее давление от 0,5 бар до 5 бар (для более высоких значений давления следует устанавливать редуктор). Средняя производительность при 3 бар с одним выходом около 40 л/мин.

External parts for thermostatic high-capacity built-in part mixer, 3/4" connections. Vertical/horizontal setting up with TWO SEPARATE EXITS.

031	Chrome	949 706	Black Metal PVD	1.829
149	Finox	1.499 707	Black Metal Br. PVD	2.013
299	Black XL	1.408 708	Copper Brushed PVD	2.013
187	Aged Bronze	2.013 727	Brushed Brass PVD	2.013
713	Antique Brass	2.013 246	Gold PVD	2.195
030	Copper PVD	1.829		

43103 + 58204



43105

Встраиваемые части для термостатического смесителя высокой производительности, подключение на 3/4", с вертикальной/горизонтальной установкой с ТРЕМЯ НЕЗАВИСИМЫМИ ВЫХОДАМИ.

Built-in thermostatic high-capacity mixer, 3/4" connections. Vertical/horizontal setting up with THREE SEPARATE EXITS.

031	Chrome	984
------------	--------	------------

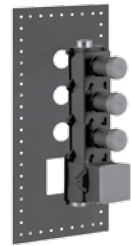
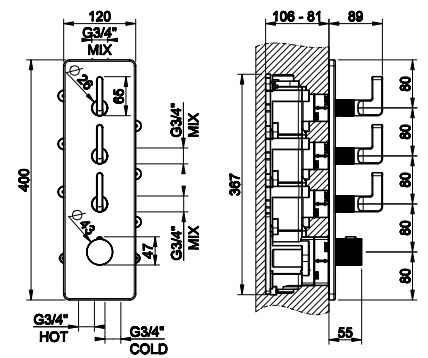
58206

Внешние части встроенного термостатического смесителя высокой производительности, резьба 3/4", вертикальная или горизонтальная установка, с ТРЕМЯ НЕЗАВИСИМЫМИ ВЫХОДАМИ. Рабочее давление от 0,5 бар до 5 бар (для более высоких значений давления следует устанавливать редуктор). Средняя производительность при 3 бар с одним выходом около 40 л/мин.

External parts for thermostatic high-capacity built-in part mixer, 3/4" connections. Vertical/horizontal setting up with THREE SEPARATE EXITS.

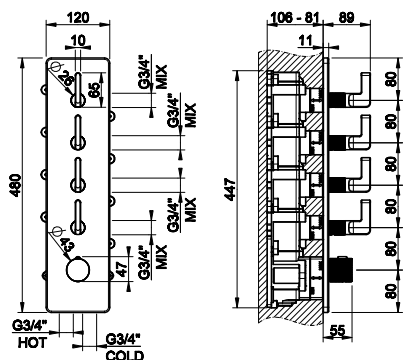
031	Chrome	1.002 706	Black Metal PVD	2.104
149	Finox	1.728 707	Black Metal Br. PVD	2.313
299	Black XL	1.624 708	Copper Brushed PVD	2.313
187	Aged Bronze	2.313 727	Brushed Brass PVD	2.313
713	Antique Brass	2.313 246	Gold PVD	2.522
030	Copper PVD	2.104		

43105 + 58206



INCISO WELLNESS

43107 + 58208

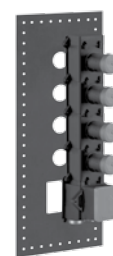


43107

Встраиваемые части для термостатического смесителя высокой производительности, подключение на 3/4", с вертикальной/горизонтальной установкой с ЧЕТЫРЬМЯ НЕЗАВИСИМЫМИ ВЫХОДАМИ.

Built-in thermostatic high-capacity mixer, 3/4" connections. Vertical/horizontal setting-up with FOUR SEPARATE EXITS.

031	Chrome	1.157
-----	--------	-------



58208

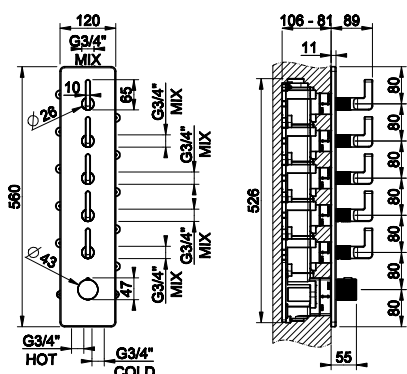
Внешние части встроенного термостатического смесителя высокой производительности, резьба 3/4", вертикальная или горизонтальная установка, с ЧЕТЫРЬМЯ НЕЗАВИСИМЫМИ ВЫХОДАМИ. Рабочее давление от 0,5 бар до 5 бар (для более высоких значений давления следует устанавливать редуктор). Средняя производительность при 3 бар с одним выходом около 40 л/мин.

External parts for thermostatic high-capacity built-in part mixer, 3/4" connections. Vertical/horizontal setting-up with FOUR SEPARATE EXITS. Functioning field from 0,5 bar to 5 bar (for greater pressures integrate water-flow limiting devices). Water-flow capacity to 3 bar with a single exit around 40 l/min.

031	Chrome	1.250 706	Black Metal PVD	2.408
149	Finox	1.974 707	Black Metal Br. PVD	2.649
299	Black XL	1.853 708	Copper Brushed PVD	2.649
187	Aged Bronze	2.649 727	Brushed Brass PVD	2.649
713	Antique Brass	2.649 246	Gold PVD	2.890
030	Copper PVD	2.408		



43109 + 58210

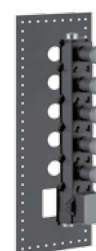


43109

Встраиваемые части для термостатического смесителя высокой производительности, подключение на 3/4", с вертикальной/горизонтальной установкой с ПЯТЬЮ НЕЗАВИСИМЫМИ ВЫХОДАМИ.

Built-in thermostatic high-capacity mixer, 3/4" connections. Vertical/horizontal setting-up with FIVE SEPARATE EXITS.

031	Chrome	1.298
-----	--------	-------



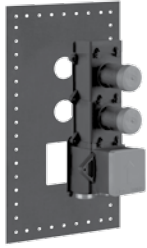
58210

Внешние части встроенного термостатического смесителя высокой производительности, резьба 3/4", вертикальная или горизонтальная установка, с ПЯТЬЮ НЕЗАВИСИМЫМИ ВЫХОДАМИ. Рабочее давление от 0,5 бар до 5 бар (для более высоких значений давления следует устанавливать редуктор). Средняя производительность при 3 бар с одним выходом около 40 л/мин.

External parts for thermostatic high-capacity built-in part mixer, 3/4" connections. Vertical/horizontal setting-up with FIVE SEPARATE EXITS. Functioning field from 0,5 bar to 5 bar (for greater pressures integrate water-flow limiting devices). Water-flow capacity to 3 bar with a single exit around 40 l/min.

031	Chrome	1.373 706	Black Metal PVD	2.657
149	Finox	2.173 707	Black Metal Br. PVD	2.924
299	Black XL	2.042 708	Copper Brushed PVD	2.924
187	Aged Bronze	2.924 727	Brushed Brass PVD	2.924
713	Antique Brass	2.924 246	Gold PVD	3.192
030	Copper PVD	2.657		





43103

Встраиваемые части для термостатического смесителя высокой производительности, подключение на 3/4", с вертикальной/горизонтальной установкой с ДВУМЯ НЕЗАВИСИМЫМИ ВЫХОДАМИ.
Built-in thermostatic high-capacity mixer, 3/4" connections. Vertical/horizontal setting up with TWO SEPARATE EXITS.

031	Chrome	881
------------	--------	------------

58214

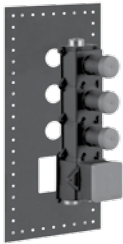
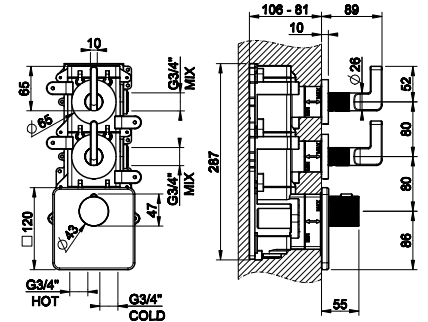
Внешние части встроенного термостатического смесителя высокой производительности, резьба 3/4", вертикальная или горизонтальная установка, с ДВУМЯ НЕЗАВИСИМЫМИ ВЫХОДАМИ. Рабочее давление от 0,5 бар до 5 бар (для более высоких значений давления следует устанавливать редуктор). Средняя производительность при 3 бар с одним выходом около 40 л/мин.

External parts for thermostatic high-capacity built-in part mixer, 3/4" connections. Vertical/horizontal setting up with TWO SEPARATE EXITS. Functioning field from 0,5 bar to 5 bar (for greater pressures integrate water-flow limiting devices). Water-flow capacity to 3 bar with a single exit around 40 l/min.

031	Chrome	949 706	Black Metal PVD	1.829
149	Finox	1.499 707	Black Metal Br. PVD	2.013
299	Black XL	1.408 708	Copper Brushed PVD	2.013
187	Aged Bronze	2.013 727	Brushed Brass PVD	2.013
713	Antique Brass	2.013 246	Gold PVD	2.195
030	Copper PVD	1.829		



43103 + 58214



43105

Встраиваемые части для термостатического смесителя высокой производительности, подключение на 3/4", с вертикальной/горизонтальной установкой с ТРЕМЯ НЕЗАВИСИМЫМИ ВЫХОДАМИ.
Built-in thermostatic high-capacity mixer, 3/4" connections. Vertical/horizontal setting up with THREE SEPARATE EXITS.

031	Chrome	984
------------	--------	------------

58216

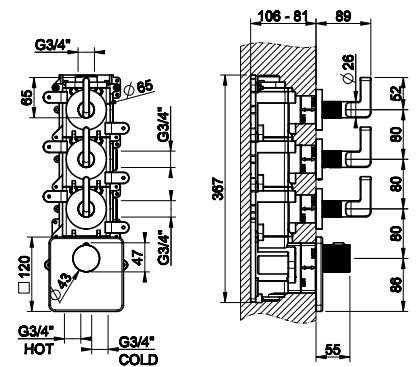
Внешние части встроенного термостатического смесителя высокой производительности, резьба 3/4", вертикальная или горизонтальная установка, с ТРЕМЯ НЕЗАВИСИМЫМИ ВЫХОДАМИ. Рабочее давление от 0,5 бар до 5 бар (для более высоких значений давления следует устанавливать редуктор). Средняя производительность при 3 бар с одним выходом около 40 л/мин.

External parts for thermostatic high-capacity built-in part mixer, 3/4" connections. Vertical/horizontal setting up with THREE SEPARATE EXITS. Functioning field from 0,5 bar to 5 bar (for greater pressures integrate water-flow limiting devices). Water-flow capacity to 3 bar with a single exit around 40 l/min.

031	Chrome	1.002 706	Black Metal PVD	2.104
149	Finox	1.728 707	Black Metal Br. PVD	2.313
299	Black XL	1.624 708	Copper Brushed PVD	2.313
187	Aged Bronze	2.313 727	Brushed Brass PVD	2.313
713	Antique Brass	2.313 246	Gold PVD	2.522
030	Copper PVD	2.104		

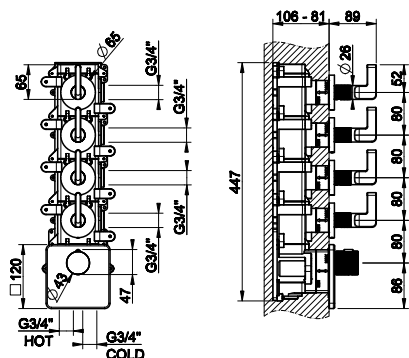


43105 + 58216



INCISO WELLNESS

43107 + 58218

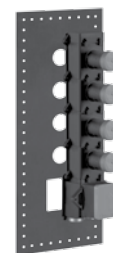


43107

Встраиваемые части для термостатического смесителя высокой производительности, подключение на 3/4", с вертикальной/горизонтальной установкой с ЧЕТЫРЬМЯ НЕЗАВИСИМЫМИ ВЫХОДАМИ.

Built-in thermostatic high-capacity mixer, 3/4" connections. Vertical/horizontal setting-up with FOUR SEPARATE EXITS.

031	Chrome	1.157
-----	--------	-------



58218

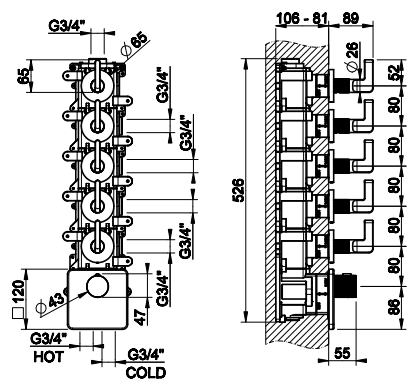
Внешние части встроенного термостатического смесителя высокой производительности, резьба 3/4", вертикальная или горизонтальная установка, с ЧЕТЫРЬМЯ НЕЗАВИСИМЫМИ ВЫХОДАМИ. Рабочее давление от 0,5 бар до 5 бар (для более высоких значений давления следует устанавливать редуктор). Средняя производительность при 3 бар с одним выходом около 40 л/мин.

External parts for thermostatic high-capacity built-in part mixer, 3/4" connections. Vertical/horizontal setting-up with FOUR SEPARATE EXITS. Functioning field from 0,5 bar to 5 bar (for greater pressures integrate water-flow limiting devices). Water-flow capacity to 3 bar with a single exit around 40 l/min.

031	Chrome	1.250 706	Black Metal PVD	2.408
149	Finox	1.974 707	Black Metal Br. PVD	2.649
299	Black XL	1.853 708	Copper Brushed PVD	2.649
187	Aged Bronze	2.649 727	Brushed Brass PVD	2.649
713	Antique Brass	2.649 246	Gold PVD	2.890
030	Copper PVD	2.408		



43109 + 58220

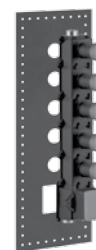


43109

Встраиваемые части для термостатического смесителя высокой производительности, подключение на 3/4", с вертикальной/горизонтальной установкой с ПЯТЬЮ НЕЗАВИСИМЫМИ ВЫХОДАМИ.

Built-in thermostatic high-capacity mixer, 3/4" connections. Vertical/horizontal setting-up with FIVE SEPARATE EXITS.

031	Chrome	1.298
-----	--------	-------



58220

Внешние части встроенного термостатического смесителя высокой производительности, резьба 3/4", вертикальная или горизонтальная установка, с ПЯТЬЮ НЕЗАВИСИМЫМИ ВЫХОДАМИ. Рабочее давление от 0,5 бар до 5 бар (для более высоких значений давления следует устанавливать редуктор). Средняя производительность при 3 бар с одним выходом около 40 л/мин.

External parts for thermostatic high-capacity built-in part mixer, 3/4" connections. Vertical/horizontal setting-up with FIVE SEPARATE EXITS. Functioning field from 0,5 bar to 5 bar (for greater pressures integrate water-flow limiting devices). Water-flow capacity to 3 bar with a single exit around 40 l/min.

031	Chrome	1.373 706	Black Metal PVD	2.657
149	Finox	2.173 707	Black Metal Br. PVD	2.924
299	Black XL	2.042 708	Copper Brushed PVD	2.924
187	Aged Bronze	2.924 727	Brushed Brass PVD	2.924
713	Antique Brass	2.924 246	Gold PVD	3.192
030	Copper PVD	2.657		





43281

Встраиваемые части для термостатического смесителя высокой производительности, подключение на 3/4".
Built-in parts for thermostatic high-capacity mixer, 3/4" connections.

031	Chrome	486
------------	--------	------------

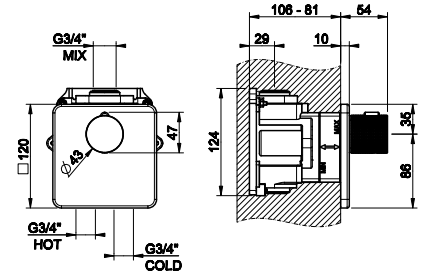
58254

Внешние части встроенного термостатического смесителя высокой производительности, резьба 3/4". Рабочее давление от 0,5 бар до 5 бар (для более высоких значений давления следует устанавливать редуктор). Средняя производительность при 3 бар около 40 л/мин.
External parts for thermostatic high-capacity built-in mixer. Functioning field from 0,5 bar to 5 bar (for greater pressures integrate water-flow limiting devices). Water-flow capacity to 3 bar with a single exit around 40 l/min.



031	Chrome	420 706	Black Metal PVD	858
149	Finox	693 707	Black Metal Br. PVD	948
299	Black XL	648 708	Copper Brushed PVD	948
187	Aged Bronze	948 727	Brushed Brass PVD	948
713	Antique Brass	948 246	Gold PVD	1.038
030	Copper PVD	858		

43281 + 58254



43283

Внутренние части запорного вентиля для термостатического смесителя высокой производительности, подключение на 3/4".
Built-in parts stop valve for thermostatic high-capacity mixer, 3/4" connections.



031	Chrome	326
------------	--------	------------

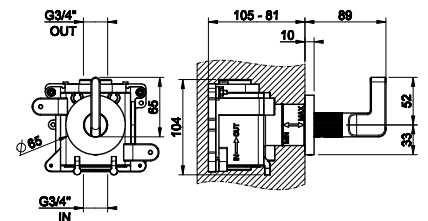
58263

Внешние части для запорного крана для термостатического смесителя высокой производительности, резьба 3/4", средняя производительность при 3 бар с одним выходом около 40 л/мин.
External parts for stop valve for thermostatic high-capacity mixer, 3/4" connections. Water-flow capacity to 3 bar around to 40 l/min.



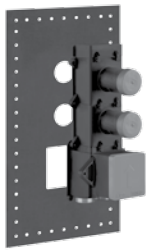
031	Chrome	254 706	Black Metal PVD	534
149	Finox	429 707	Black Metal Br. PVD	592
299	Black XL	400 708	Copper Brushed PVD	592
187	Aged Bronze	592 727	Brushed Brass PVD	592
713	Antique Brass	592 246	Gold PVD	650
030	Copper PVD	534		

43283 + 58263





davidrockwell for
GESSI®



43103

Встраиваемые части для термостатического смесителя высокой производительности, подключение на 3/4", с вертикальной/горизонтальной установкой с ДВУМЯ НЕЗАВИСИМЫМИ ВЫХОДАМИ.
Built-in thermostatic high-capacity mixer, 3/4" connections. Vertical/horizontal setting up with TWO SEPARATE EXITS.

031	Chrome	881
------------	--------	------------

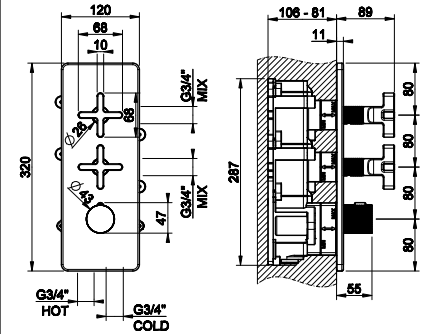
58224

Внешние части встроенного термостатического смесителя высокой производительности, резьба 3/4", вертикальная или горизонтальная установка, с ДВУМЯ НЕЗАВИСИМЫМИ ВЫХОДАМИ. Рабочее давление от 0,5 бар до 5 бар (для более высоких значений давления следует устанавливать редуктор). Средняя производительность при 3 бар с одним выходом около 40 л/мин.
External parts for thermostatic high-capacity built-in part mixer, 3/4" connections. Vertical/horizontal setting up with TWO SEPARATE EXITS.

031	Chrome	949 706	Black Metal PVD	1.829
149	Finox	1.499 707	Black Metal Br. PVD	2.013
299	Black XL	1.408 708	Copper Brushed PVD	2.013
187	Aged Bronze	2.013 727	Brushed Brass PVD	2.013
713	Antique Brass	2.013 246	Gold PVD	2.195
030	Copper PVD	1.829		



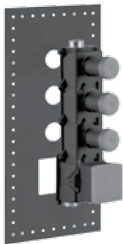
43103 + 58224



43105

Встраиваемые части для термостатического смесителя высокой производительности, подключение на 3/4", с вертикальной/горизонтальной установкой с ТРЕМЯ НЕЗАВИСИМЫМИ ВЫХОДАМИ.
Built-in thermostatic high-capacity mixer, 3/4" connections. Vertical/horizontal setting up with THREE SEPARATE EXITS.

031	Chrome	984
------------	--------	------------



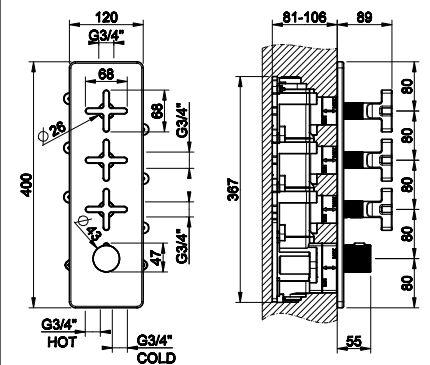
58226

Внешние части встроенного термостатического смесителя высокой производительности, резьба 3/4", вертикальная или горизонтальная установка, с ДВУМЯ НЕЗАВИСИМЫМИ ВЫХОДАМИ. Рабочее давление от 0,5 бар до 5 бар (для более высоких значений давления следует устанавливать редуктор). Средняя производительность при 3 бар с одним выходом около 40 л/мин.
External parts for thermostatic high-capacity built-in part mixer, 3/4" connections. Vertical/horizontal setting up with TWO SEPARATE EXITS.

031	Chrome	1.002 706	Black Metal PVD	2.104
149	Finox	1.728 707	Black Metal Br. PVD	2.313
299	Black XL	1.624 708	Copper Brushed PVD	2.313
187	Aged Bronze	2.313 727	Brushed Brass PVD	2.313
713	Antique Brass	2.313 246	Gold PVD	2.522
030	Copper PVD	2.104		

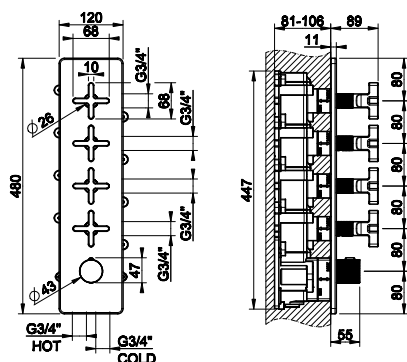


43105 + 58226



INCISO WELLNESS

43107 + 58228

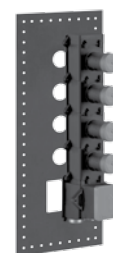


43107

Встраиваемые части для термостатического смесителя высокой производительности, подключение на 3/4", с вертикальной/горизонтальной установкой с ЧЕТЫРЬМЯ НЕЗАВИСИМЫМИ ВЫХОДАМИ.

Built-in thermostatic high-capacity mixer, 3/4" connections. Vertical/horizontal setting-up with FOUR SEPARATE EXITS.

031	Chrome	1.157
-----	--------	-------



58228

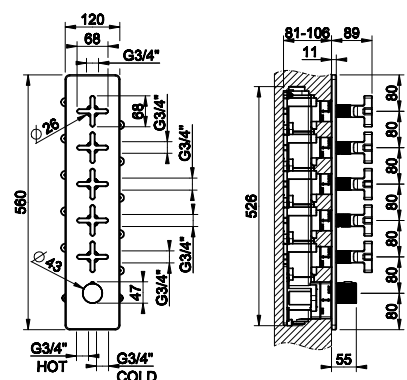
Внешние части встроенного термостатического смесителя высокой производительности, резьба 3/4", вертикальная или горизонтальная установка, с ЧЕТЫРЬМЯ НЕЗАВИСИМЫМИ ВЫХОДАМИ. Рабочее давление от 0,5 бар до 5 бар (для более высоких значений давления следует устанавливать редуктор). Средняя производительность при 3 бар с одним выходом около 40 л/мин.

External parts for thermostatic high-capacity built-in part mixer, 3/4" connections. Vertical/horizontal setting-up with FOUR SEPARATE EXITS. Functioning field from 0,5 bar to 5 bar (for greater pressures integrate water-flow limiting devices). Water-flow capacity to 3 bar with a single exit around 40 l/min.

031	Chrome	1.250 706	Black Metal PVD	2.408
149	Finox	1.974 707	Black Metal Br. PVD	2.649
299	Black XL	1.853 708	Copper Brushed PVD	2.649
187	Aged Bronze	2.649 727	Brushed Brass PVD	2.649
713	Antique Brass	2.649 246	Gold PVD	2.890
030	Copper PVD	2.408		



43109 + 58230

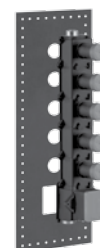


43109

Встраиваемые части для термостатического смесителя высокой производительности, подключение на 3/4", с вертикальной/горизонтальной установкой с ПЯТЬЮ НЕЗАВИСИМЫМИ ВЫХОДАМИ.

Built-in thermostatic high-capacity mixer, 3/4" connections. Vertical/horizontal setting-up with FIVE SEPARATE EXITS.

031	Chrome	1.298
-----	--------	-------



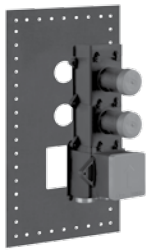
58230

Внешние части встроенного термостатического смесителя высокой производительности, резьба 3/4", вертикальная или горизонтальная установка, с ПЯТЬЮ НЕЗАВИСИМЫМИ ВЫХОДАМИ. Рабочее давление от 0,5 бар до 5 бар (для более высоких значений давления следует устанавливать редуктор). Средняя производительность при 3 бар с одним выходом около 40 л/мин.

External parts for thermostatic high-capacity built-in part mixer, 3/4" connections. Vertical/horizontal setting-up with FIVE SEPARATE EXITS. Functioning field from 0,5 bar to 5 bar (for greater pressures integrate water-flow limiting devices). Water-flow capacity to 3 bar with a single exit around 40 l/min.

031	Chrome	1.373 706	Black Metal PVD	2.657
149	Finox	2.173 707	Black Metal Br. PVD	2.924
299	Black XL	2.042 708	Copper Brushed PVD	2.924
187	Aged Bronze	2.924 727	Brushed Brass PVD	2.924
713	Antique Brass	2.924 246	Gold PVD	3.192
030	Copper PVD	2.657		





43103

Встраиваемые части для термостатического смесителя высокой производительности, подключение на 3/4", с вертикальной/горизонтальной установкой с ДВУМЯ НЕЗАВИСИМЫМИ ВЫХОДАМИ.
Built-in thermostatic high-capacity mixer, 3/4" connections. Vertical/horizontal setting up with TWO SEPARATE EXITS.

031	Chrome	881
-----	--------	-----

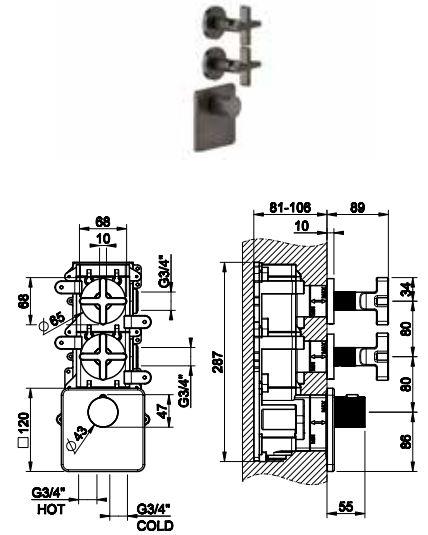
58344

Внешние части встроенного термостатического смесителя высокой производительности, резьба 3/4", вертикальная или горизонтальная установка, с ДВУМЯ НЕЗАВИСИМЫМИ ВЫХОДАМИ. Рабочее давление от 0,5 бар до 5 бар (для более высоких значений давления следует устанавливать редуктор). Средняя производительность при 3 бар с одним выходом около 40 л/мин.
External parts for thermostatic high-capacity built-in part mixer, 3/4" connections. Vertical/horizontal setting up with TWO SEPARATE EXITS.

031	Chrome	949	706	Black Metal PVD	1.829
149	Finox	1.499	707	Black Metal Br. PVD	2.013
299	Black XL	1.408	708	Copper Brushed PVD	2.013
187	Aged Bronze	2.013	727	Brushed Brass PVD	2.013
713	Antique Brass	2.013	246	Gold PVD	2.195
030	Copper PVD	1.829			



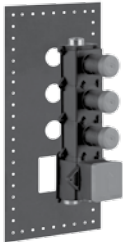
43103 + 58344



43105

Встроенный термостатический смеситель высокой производительности, резьба 3/4", вертикальная или горизонтальная установка с ТРЕМЯ НЕЗАВИСИМЫМИ ВЫХОДАМИ.
Built-in thermostatic high-capacity mixer, 3/4" connections. Vertical/horizontal setting up with THREE SEPARATE EXITS.

031	Chrome	984
-----	--------	-----



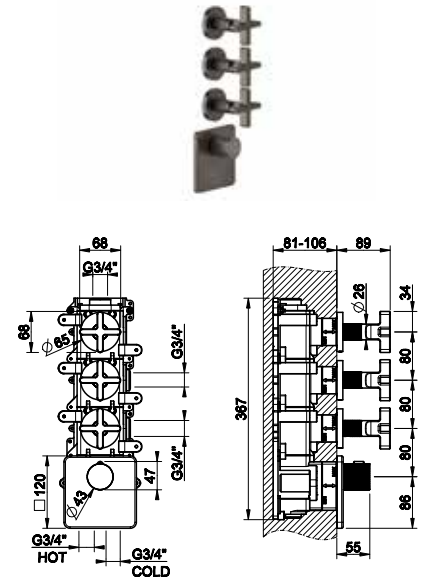
58346

Внешние части встроенного термостатического смесителя высокой производительности, резьба 3/4", вертикальная или горизонтальная установка, с ДВУМЯ НЕЗАВИСИМЫМИ ВЫХОДАМИ. Рабочее давление от 0,5 бар до 5 бар (для более высоких значений давления следует устанавливать редуктор). Средняя производительность при 3 бар с одним выходом около 40 л/мин.
External parts for thermostatic high-capacity built-in part mixer, 3/4" connections. Vertical/horizontal setting up with TWO SEPARATE EXITS.

031	Chrome	1.002	706	Black Metal PVD	2.104
149	Finox	1.728	707	Black Metal Br. PVD	2.313
299	Black XL	1.624	708	Copper Brushed PVD	2.313
187	Aged Bronze	2.313	727	Brushed Brass PVD	2.313
713	Antique Brass	2.313	246	Gold PVD	2.522
030	Copper PVD	2.104			

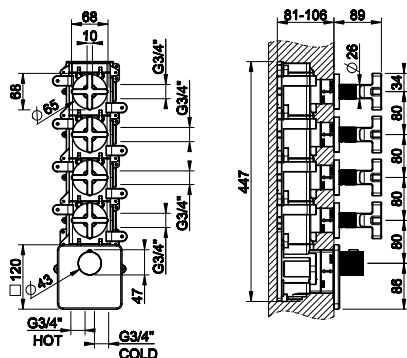


43105 + 58346



INCISO WELLNESS

43107 + 58348

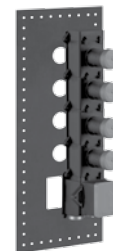


43107

Встраиваемые части для термостатического смесителя высокой производительности, подключение на 3/4", с вертикальной/горизонтальной установкой с ЧЕТЫРЬМЯ НЕЗАВИСИМЫМИ ВЫХОДАМИ.

Built-in thermostatic high-capacity mixer, 3/4" connections. Vertical/horizontal setting-up with FOUR SEPARATE EXITS.

031	Chrome	1.157
------------	--------	--------------



58348

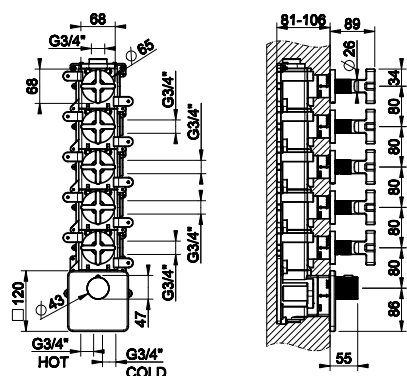
Внешние части встроенного термостатического смесителя высокой производительности, резьба 3/4", вертикальная или горизонтальная установка, с ЧЕТЫРЬМЯ НЕЗАВИСИМЫМИ ВЫХОДАМИ. Рабочее давление от 0,5 бар до 5 бар (для более высоких значений давления следует устанавливать редуктор). Средняя производительность при 3 бар с одним выходом около 40 л/мин.

External parts for thermostatic high-capacity built-in part mixer, 3/4" connections. Vertical/horizontal setting-up with FOUR SEPARATE EXITS. Functioning field from 0,5 bar to 5 bar (for greater pressures integrate water-flow limiting devices). Water-flow capacity to 3 bar with a single exit around 40 l/min.

031	Chrome	1.250 706	Black Metal PVD	2.408
149	Finox	1.974 707	Black Metal Br. PVD	2.649
299	Black XL	1.853 708	Copper Brushed PVD	2.649
187	Aged Bronze	2.649 727	Brushed Brass PVD	2.649
713	Antique Brass	2.649 246	Gold PVD	2.890
030	Copper PVD	2.408		



43109 + 58350

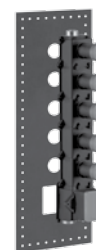


43109

Встраиваемые части для термостатического смесителя высокой производительности, подключение на 3/4", с вертикальной/горизонтальной установкой с ПЯТЬЮ НЕЗАВИСИМЫМИ ВЫХОДАМИ.

Built-in thermostatic high-capacity mixer, 3/4" connections. Vertical/horizontal setting-up with FIVE SEPARATE EXITS.

031	Chrome	1.298
------------	--------	--------------



58350

Внешние части встроенного термостатического смесителя высокой производительности, резьба 3/4", вертикальная или горизонтальная установка, с ПЯТЬЮ НЕЗАВИСИМЫМИ ВЫХОДАМИ. Рабочее давление от 0,5 бар до 5 бар (для более высоких значений давления следует устанавливать редуктор). Средняя производительность при 3 бар с одним выходом около 40 л/мин.

External parts for thermostatic high-capacity built-in part mixer, 3/4" connections. Vertical/horizontal setting-up with FIVE SEPARATE EXITS. Functioning field from 0,5 bar to 5 bar (for greater pressures integrate water-flow limiting devices). Water-flow capacity to 3 bar with a single exit around 40 l/min.

031	Chrome	1.373 706	Black Metal PVD	2.657
149	Finox	2.173 707	Black Metal Br. PVD	2.924
299	Black XL	2.042 708	Copper Brushed PVD	2.924
187	Aged Bronze	2.924 727	Brushed Brass PVD	2.924
713	Antique Brass	2.924 246	Gold PVD	3.192
030	Copper PVD	2.657		



43281

Встраиваемые части для термостатического смесителя высокой производительности, подключение на 3/4".
Built-in parts for thermostatic high-capacity mixer, 3/4" connections.



031	Chrome	486
------------	--------	------------

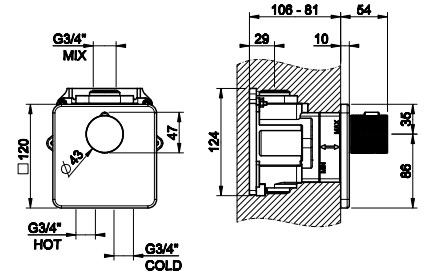
58254

Внешние части встроенного термостатического смесителя высокой производительности, резьба 3/4". Рабочее давление от 0,5 бар до 5 бар (для более высоких значений давления следует устанавливать редуктор). Средняя производительность при 3 бар около 40 л/мин.
External parts for thermostatic high-capacity built-in mixer. Functioning field from 0,5 bar to 5 bar (for greater pressures integrate water-flow limiting devices). Water-flow capacity to 3 bar with a single exit around 40 l/min.



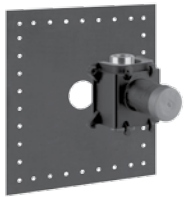
031	Chrome	420 706	Black Metal PVD	858
149	Finox	693 707	Black Metal Br. PVD	948
299	Black XL	648 708	Copper Brushed PVD	948
187	Aged Bronze	948 727	Brushed Brass PVD	948
713	Antique Brass	948 246	Gold PVD	1.038
030	Copper PVD	858		

43281 + 58254



43283

Внутренние части запорного вентиля для термостатического смесителя высокой производительности, подключение на 3/4".
Built-in parts stop valve for thermostatic high-capacity mixer, 3/4" connections.



031	Chrome	326
------------	--------	------------

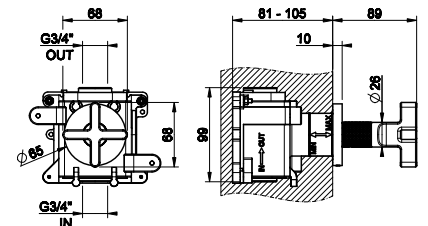
58363

Внешние части для запорного крана для термостатического смесителя высокой производительности, резьба 3/4", средняя производительность при 3 бар с одним выходом около 40 л/мин.
External parts for stop valve for thermostatic high-capacity mixer, 3/4" connections. Water-flow capacity to 3 bar around to 40 l/min.



031	Chrome	254 706	Black Metal PVD	534
149	Finox	429 707	Black Metal Br. PVD	592
299	Black XL	400 708	Copper Brushed PVD	592
187	Aged Bronze	592 727	Brushed Brass PVD	592
713	Antique Brass	592 246	Gold PVD	650
030	Copper PVD	534		

43283 + 58363





INCISO
SHOWER
davidrockwell for
GESSI®

INCISO SHOWER

44655

Встраиваемая часть для смесителя однорычажного.
Built-in part for one-way mixer.



031 Chrome 141

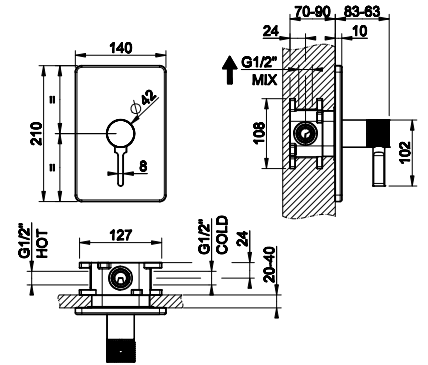
58061

Внешние части для встраиваемого однорычажного смесителя, картридж Ø35 мм, одна позиция.
External parts for built-in mixer, with 1/2" connections, Ø35 cartridge, one-way.



031	Chrome	432 706	Black Metal PVD	639
149	Finox	562 707	Black Metal Br. PVD	683
299	Black XL	540 708	Copper Brushed PVD	683
187	Aged Bronze	683 727	Brushed Brass PVD	683
713	Antique Brass	683 246	Gold PVD	725
030	Copper PVD	639		

44655 + 58061



44673

Встраиваемая часть для смесителя на 2 выхода.
Built-in part for two way mixer.



031 Chrome 181

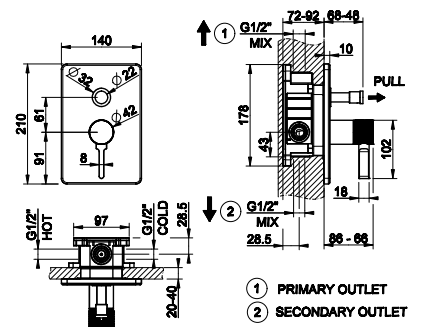
58079

Внешние части для встраиваемого однорычажного смесителя, картридж Ø35 мм, на две позиции с автоматическим переключателем.
External parts for built-in mixer, with 1/2" connections, Ø35 cartridge, two-way and automatic bath/shower diverter.



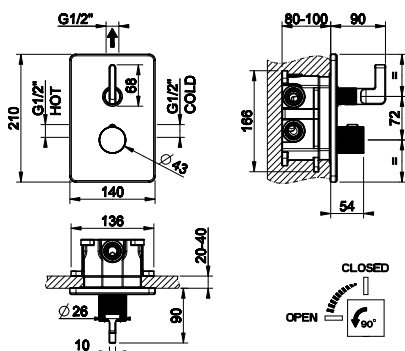
031	Chrome	515 706	Black Metal PVD	763
149	Finox	670 707	Black Metal Br. PVD	814
299	Black XL	644 708	Copper Brushed PVD	814
187	Aged Bronze	814 727	Brushed Brass PVD	814
713	Antique Brass	814 246	Gold PVD	867
030	Copper PVD	763		

44673 + 58079



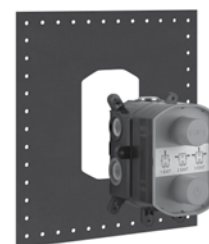
INCISO SHOWER

09269 + 58132



09269

Встраиваемая часть для смесителя термостатического на 1/2/3 выхода.
Built-in part for thermostatic mixer.



031	Chrome	476
-----	--------	-----

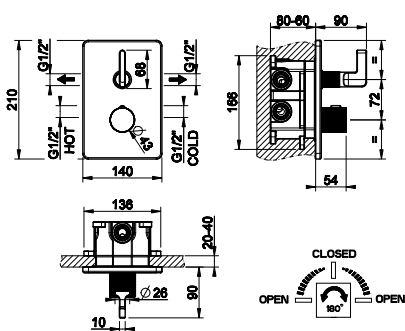
58132

Внешние части для термостатического смесителя, с подключением на 1/2", фильтрами и вентилем с керамическими дисками, на одну позицию на 1/2".
External parts for thermostatic mixer with 1/2" connections, filters and 1/2" one-way diverter with ceramic discs.

031	Chrome	763 706	Black Metal PVD	1.129
149	Finox	992 707	Black Metal Br. PVD	1.205
299	Black XL	954 708	Copper Brushed PVD	1.205
187	Aged Bronze	1.205 727	Brushed Brass PVD	1.205
713	Antique Brass	1.205 246	Gold PVD	1.282
030	Copper PVD	1.129		

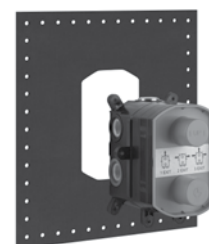


09269 + 58134



09269

Встраиваемая часть для смесителя термостатического на 1/2/3 выхода.
Built-in part for thermostatic mixer.



031	Chrome	476
-----	--------	-----

58134

Внешние части для термостатического смесителя, с подключением на 1/2", фильтрами и вентилем с керамическими дисками, на две позиции на 1/2".
External parts for thermostatic mixer with 1/2" connections, filters and 1/2" two-way diverter with ceramic discs.

031	Chrome	763 706	Black Metal PVD	1.129
149	Finox	992 707	Black Metal Br. PVD	1.205
299	Black XL	954 708	Copper Brushed PVD	1.205
187	Aged Bronze	1.205 727	Brushed Brass PVD	1.205
713	Antique Brass	1.205 246	Gold PVD	1.282
030	Copper PVD	1.129		



INCISO SHOWER

09269

Встраиваемая часть для смесителя термостатического на 1/2/3 выхода.
Built-in part for thermostatic mixer.



031 Chrome **476**

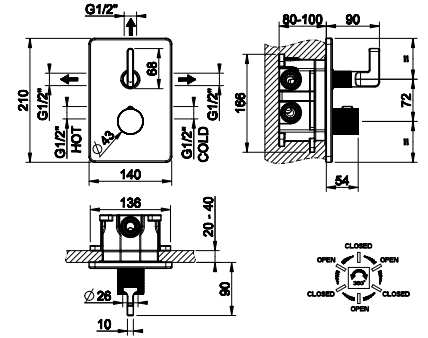
58136

Внешние части для термостатического смесителя, с подключением на 1/2", фильтрами и вентилем с керамическими дисками, на три позиции на 1/2".
External parts for thermostatic mixer with 1/2" connections, filters and 1/2" three-way diverter with ceramic discs.



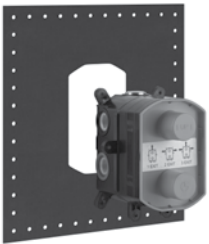
031	Chrome	763 706	Black Metal PVD	1.129
149	Finox	992 707	Black Metal Br. PVD	1.205
299	Black XL	954 708	Copper Brushed PVD	1.205
187	Aged Bronze	1.205 727	Brushed Brass PVD	1.205
713	Antique Brass	1.205 246	Gold PVD	1.282
030	Copper PVD	1.129		

09269 + 58136



09269

Встраиваемая часть для смесителя термостатического на 1/2/3 выхода.
Built-in part for thermostatic mixer.



031 Chrome **476**

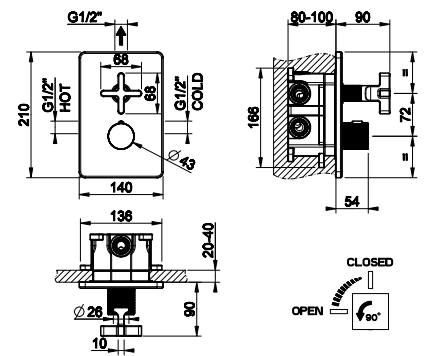
58232

Внешние части для термостатического смесителя, с подключением на 1/2", фильтрами и вентилем с керамическими дисками, на одну позицию на 1/2".
External parts for thermostatic mixer with 1/2" connections, filters and 1/2" one-way diverter with ceramic discs.



031	Chrome	763 706	Black Metal PVD	1.129
149	Finox	992 707	Black Metal Br. PVD	1.205
299	Black XL	954 708	Copper Brushed PVD	1.205
187	Aged Bronze	1.205 727	Brushed Brass PVD	1.205
713	Antique Brass	1.205 246	Gold PVD	1.282
030	Copper PVD	1.129		

09269 + 58232



INCISO SHOWER

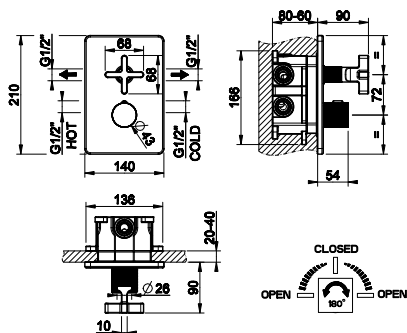
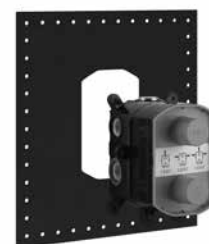
09269 + 58234



09269

Встраиваемая часть для смесителя термостатического на 1/2/3 выхода.
Built-in part for thermostatic mixer.

031	Chrome	476
-----	--------	-----



58234

Внешние части для термостатического смесителя, с подключением на 1/2", фильтрами и вентилем с керамическими дисками, на две позиции на 1/2".
External parts for thermostatic mixer with 1/2" connections, filters and 1/2" two-way diverter with ceramic discs.

031	Chrome	763 706	Black Metal PVD	1.129
149	Finox	992 707	Black Metal Br. PVD	1.205
299	Black XL	954 708	Copper Brushed PVD	1.205
187	Aged Bronze	1.205 727	Brushed Brass PVD	1.205
713	Antique Brass	1.205 246	Gold PVD	1.282
030	Copper PVD	1.129		



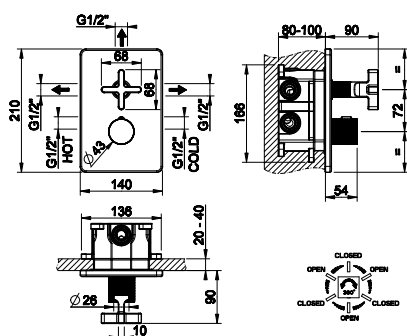
09269 + 58236



09269

Встраиваемая часть для смесителя термостатического на 1/2/3 выхода.
Built-in part for thermostatic mixer.

031	Chrome	476
-----	--------	-----



58236

Внешние части для термостатического смесителя, с подключением на 1/2", фильтрами и вентилем с керамическими дисками, на три позиции на 1/2".
External parts for thermostatic mixer with 1/2" connections, filters and 1/2" three-way diverter with ceramic discs.

031	Chrome	763 706	Black Metal PVD	1.129
149	Finox	992 707	Black Metal Br. PVD	1.205
299	Black XL	954 708	Copper Brushed PVD	1.205
187	Aged Bronze	1.205 727	Brushed Brass PVD	1.205
713	Antique Brass	1.205 246	Gold PVD	1.282
030	Copper PVD	1.129		



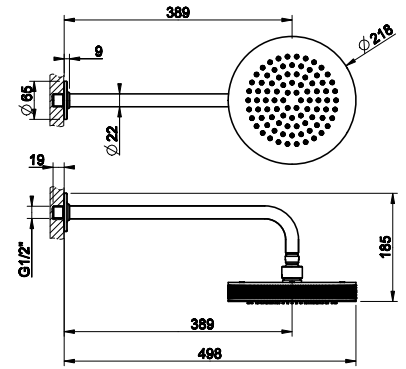
INCISO SHOWER



58185

Душевая головка шарнирная на 1/2" с защитой от известкового налёта.
Wall-mounted adjustable and antilimestone showerhead, 1/2" connections.

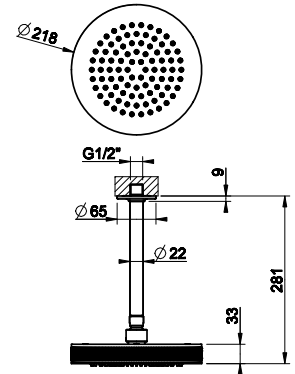
031	Chrome	1.072 706	Black Metal PVD	1.587
149	Finox	1.394 707	Black Metal Br. PVD	1.694
299	Black XL	1.340 708	Copper Brushed PVD	1.694
187	Aged Bronze	1.694 727	Brushed Brass PVD	1.694
713	Antique Brass	1.694 246	Gold PVD	1.800
030	Copper PVD	1.587		



58186

Потолочная душевая головка шарнирная с защитой от известкового налёта на 1/2", Ø200 мм.
Ceiling-mounted adjustable and antilimestone showerhead Ø200 mm, 1/2" connections.

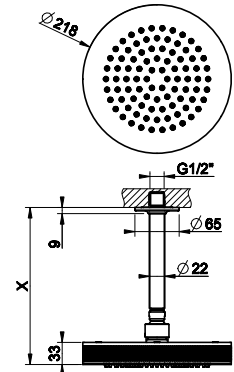
031	Chrome	1.013 706	Black Metal PVD	1.499
149	Finox	1.317 707	Black Metal Br. PVD	1.600
299	Black XL	1.267 708	Copper Brushed PVD	1.600
187	Aged Bronze	1.600 727	Brushed Brass PVD	1.600
713	Antique Brass	1.600 246	Gold PVD	1.702
030	Copper PVD	1.499		



58188

Потолочная душевая головка шарнирная с защитой от известкового налёта на 1/2", Ø200 мм, длина изготавливается под заказ (мин. 105 макс. 1855 мм).
Ceiling-mounted adjustable and antilimestone showerhead Ø200 mm, length on request (min 105 max 1855 mm), 1/2" connections.

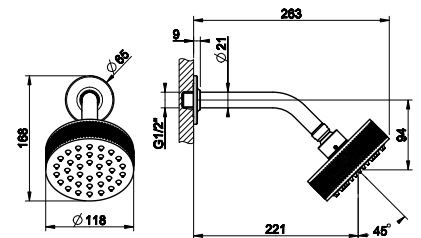
031	Chrome	1.469 706	Black Metal PVD	2.174
149	Finox	1.909 707	Black Metal Br. PVD	2.320
299	Black XL	1.837 708	Copper Brushed PVD	2.468
187	Aged Bronze	2.320 727	Brushed Brass PVD	2.320
713	Antique Brass	2.320 246	Gold PVD	2.320
030	Copper PVD	2.174		



58189

Душевая головка шарнирная на 1/2" с защитой от известкового налёта.
Wall-mounted adjustable and antilimestone showerhead, 1/2" connections.

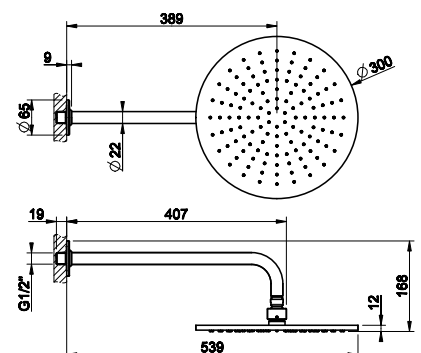
031	Chrome	724 706	Black Metal PVD	1.072
149	Finox	942 707	Black Metal Br. PVD	1.144
299	Black XL	905 708	Copper Brushed PVD	1.144
187	Aged Bronze	1.144 727	Brushed Brass PVD	1.144
713	Antique Brass	1.144 246	Gold PVD	1.217
030	Copper PVD	1.072		



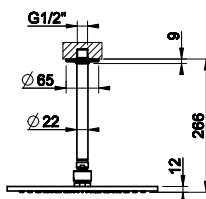
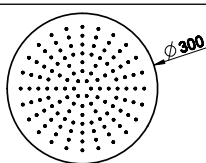
58248

Душевая головка шарнирная на 1/2" с защитой от известкового налёта.
Wall-mounted adjustable and antilimestone showerhead, 1/2" connections.

031	Chrome	934 706	Black Metal PVD	1.383
149	Finox	1.215 707	Black Metal Br. PVD	1.477
299	Black XL	1.168 708	Copper Brushed PVD	1.477
187	Aged Bronze	1.477 727	Brushed Brass PVD	1.477
713	Antique Brass	1.477 246	Gold PVD	1.569
030	Copper PVD	1.383		



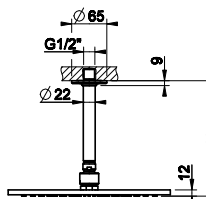
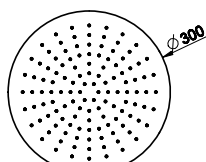
INCISO SHOWER



58252

Потолочная душевая головка шарнирная с защитой от известкового налёта на 1/2", Ø300 мм.
Ceiling-mounted adjustable and antilimestone showerhead Ø300 mm, 1/2" connections.

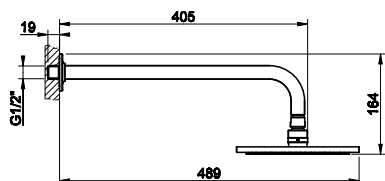
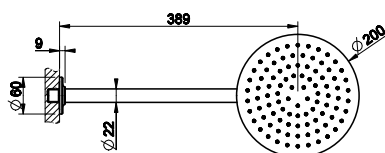
031	Chrome	884 706	Black Metal PVD	1.309
149	Finox	1.150 707	Black Metal Br. PVD	1.398
299	Black XL	1.105 708	Copper Brushed PVD	1.398
187	Aged Bronze	1.398 727	Brushed Brass PVD	1.398
713	Antique Brass	1.398 246		1.485
030	Copper PVD	1.309		



58250

Потолочная душевая головка шарнирная с защитой от известкового налёта на 1/2", Ø300 мм, длина изготавливается под заказ (мин. 105 макс. 1855 мм).
Ceiling-mounted adjustable and antilimestone showerhead Ø300 mm, length on request (min 105 max 1855 mm), 1/2" connections.

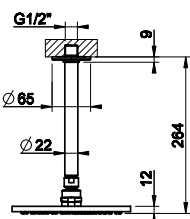
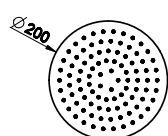
031	Chrome	1.308 706	Black Metal PVD	1.937
149	Finox	1.700 707	Black Metal Br. PVD	2.067
299	Black XL	1.635 708	Copper Brushed PVD	2.067
187	Aged Bronze	2.067 727	Brushed Brass PVD	2.067
713	Antique Brass	2.067 246	Gold PVD	2.198
030	Copper PVD	1.937		



58148

Душевая головка шарнирная на 1/2" с защитой от известкового налёта.
Wall-mounted adjustable and antilimestone showerhead, 1/2" connections.

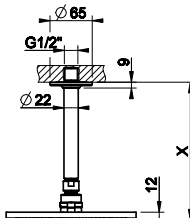
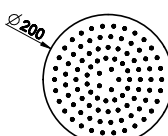
031	Chrome	734 706	Black Metal PVD	1.087
149	Finox	955 707	Black Metal Br. PVD	1.160
299	Black XL	918 708	Copper Brushed PVD	1.160
187	Aged Bronze	1.160 727	Brushed Brass PVD	1.160
713	Antique Brass	1.160 246	Gold PVD	1.234
030	Copper PVD	1.087		



58152

Потолочная душевая головка шарнирная с защитой от известкового налёта на 1/2", Ø200 мм.
Ceiling-mounted adjustable and antilimestone showerhead Ø200 mm, 1/2" connections.

031	Chrome	675 706	Black Metal PVD	1.000
149	Finox	878 707	Black Metal Br. PVD	1.068
299	Black XL	844 708	Copper Brushed PVD	1.068
187	Aged Bronze	1.068 727	Brushed Brass PVD	1.068
713	Antique Brass	1.068 246	Gold PVD	1.135
030	Copper PVD	1.000		



58150

Потолочная душевая головка шарнирная с защитой от известкового налёта на 1/2", Ø200 мм, длина изготавливается под заказ (мин. 105 макс. 1855 мм).
Ceiling-mounted adjustable and antilimestone showerhead Ø200 mm, length on request (min 105 max 1855 mm), 1/2" connections.

031	Chrome	979 706	Black Metal PVD	1.450
149	Finox	1.273 707	Black Metal Br. PVD	1.549
299	Black XL	1.224 708	Copper Brushed PVD	1.647
187	Aged Bronze	1.549 727	Brushed Brass PVD	1.549
713	Antique Brass	1.549 246		1.549
030	Copper PVD	1.450		



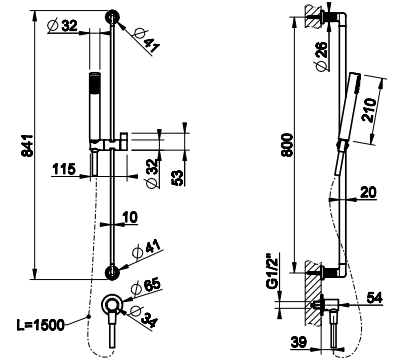
INCISO SHOWER



58142

Штанга в комплекте с душевой лейкой с защитой отизвесткового налёта, шланг 1,50 м, вывод воды изстены.
Sliding rail with antilimestone handshower, 1,50 m flexible hose and water outlet.

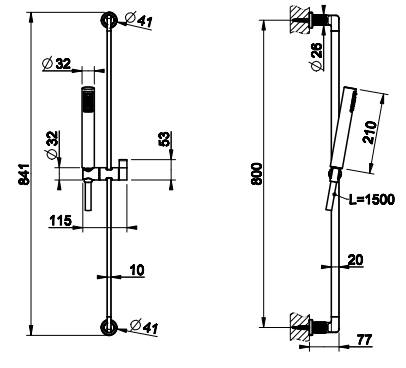
031	Chrome	872 706	Black Metal PVD	1.290
149	Finox	1.134 707	Black Metal Br. PVD	1.378
299	Black XL	1.090 708	Copper Brushed PVD	1.378
187	Aged Bronze	1.378 727	Brushed Brass PVD	1.378
713	Antique Brass	1.378 246	Gold PVD	1.464
030	Copper PVD	1.290		



58145

Штанга в комплекте с душевой лейкой с защитой отизвесткового налёта, шланг 1,50 м.
Sliding rail with antilimestone handshower and 1,50 m flexible hose.

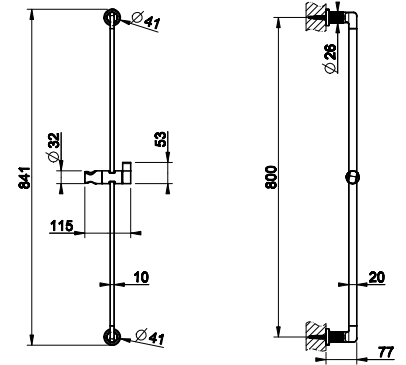
031	Chrome	713 706	Black Metal PVD	1.055
149	Finox	927 707	Black Metal Br. PVD	1.127
299	Black XL	892 708	Copper Brushed PVD	1.127
187	Aged Bronze	1.127 727	Brushed Brass PVD	1.127
713	Antique Brass	1.127 246	Gold PVD	1.198
030	Copper PVD	1.055		



58144

Штанга для душа.
Sliding rail.

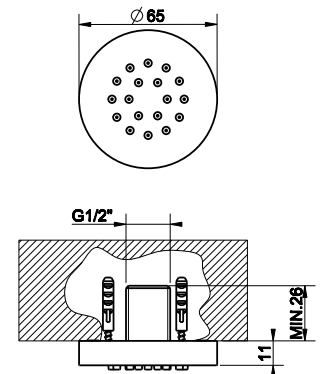
031	Chrome	637 706	Black Metal PVD	943
149	Finox	828 707	Black Metal Br. PVD	1.007
299	Black XL	797 708	Copper Brushed PVD	1.007
187	Aged Bronze	1.007 727	Brushed Brass PVD	1.007
713	Antique Brass	1.007 246	Gold PVD	1.070
030	Copper PVD	943		



32971

Боковая форсунка.
Lateral body jet.

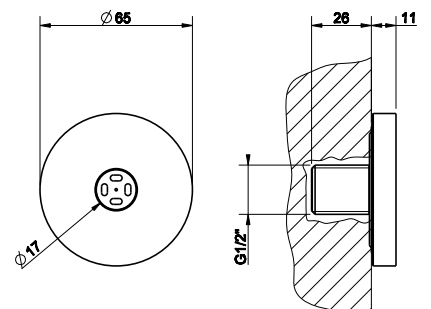
031	Chrome	249 706	Black Metal PVD	370
149	Finox	360 707	Black Metal Br. PVD	395
299	Black XL	313 708	Copper Brushed PVD	395
187	Aged Bronze	395 727	Brushed Brass PVD	395
713	Antique Brass	395 246	Gold PVD	420
030	Copper PVD	370		



32977

Боковая форсунка с распылителем TONDO.
TONDO wall-mounted atomizer jet.

031	Chrome	215 706	Black Metal PVD	322
149	Finox	276 707	Black Metal Br. PVD	343
299	Black XL	272 708	Copper Brushed PVD	343
187	Aged Bronze	343 727	Brushed Brass PVD	343
713	Antique Brass	343 246	Gold PVD	364
030	Copper PVD	322		



INCISO SHOWER

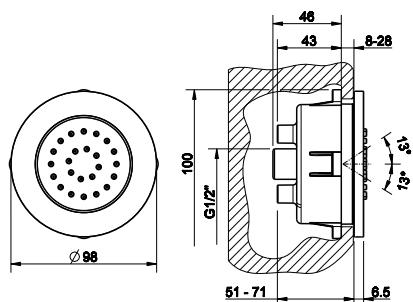
32985 + 32982



32985

Встраиваемая часть для поворотной боковой форсунки.
Built-in parts for adjustable lateral body jet.

031	Chrome	166
-----	--------	-----



32982

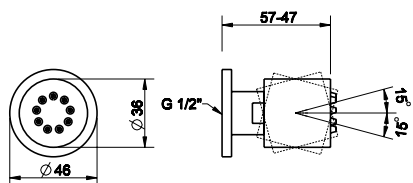
Внешние части для поворотной боковой встраиваемой форсунки.
External parts for TONDO built-in adjustable lateral body jet.

031	Chrome	331 706	Black Metal PVD	573
149	Finox	470 707	Black Metal Br. PVD	623
299	Black XL	458 708	Copper Brushed PVD	623
187	Aged Bronze	623 727	Brushed Brass PVD	623
713	Antique Brass	623 246	Gold PVD	663
030	Copper PVD	573		

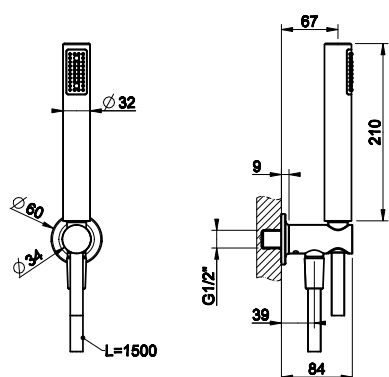


13375

Поворотная боковая форсунка.
Adjustable lateral body jet.



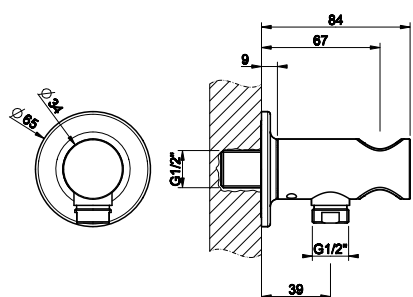
031	Chrome	176 706	Black Metal PVD	262
149	Finox	227 707	Black Metal Br. PVD	279
299	Black XL	222 708	Copper Brushed PVD	279
187	Aged Bronze	279 727	Brushed Brass PVD	279
713	Antique Brass	279 246	Gold PVD	297
030	Copper PVD	262		



58123

Душевой комплект, состоящий из вывода воды на 1/2", держателя, шланга 1,50 м и душевой лейки с защитой от известкового налёта.
Shower set composed by 1/2" connection water outlet, shower hook, 1,50 m flexible hose and antilimestone handshower.

031	Chrome	413 706	Black Metal PVD	612
149	Finox	537 707	Black Metal Br. PVD	653
299	Black XL	517 708	Copper Brushed PVD	653
187	Aged Bronze	653 727	Brushed Brass PVD	653
713	Antique Brass	653 246	Gold PVD	694
030	Copper PVD	612		



58161

Вывод воды с держателем для душевой лейки на 1/2".
Handshower hook with 1/2" connection water outlet.

031	Chrome	215 706	Black Metal PVD	319
149	Finox	280 707	Black Metal Br. PVD	340
299	Black XL	269 708	Copper Brushed PVD	340
187	Aged Bronze	340 727	Brushed Brass PVD	340
713	Antique Brass	340 246	Gold PVD	362
030	Copper PVD	319		



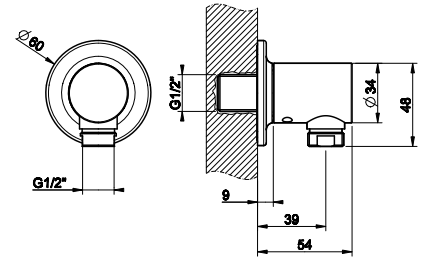
INCISO SHOWER

58169

Вывод воды на 1/2".
1/2" connection water outlet.



031	Chrome	175 706	Black Metal PVD	260
149	Finox	228 707	Black Metal Br. PVD	278
299	Black XL	219 708	Copper Brushed PVD	278
187	Aged Bronze	278 727	Brushed Brass PVD	278
713	Antique Brass	278 246	Gold PVD	295
030	Copper PVD	260		

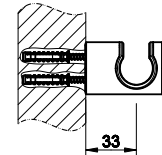
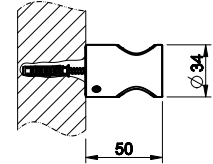


58157

Держатель неподвижный для душевой лейки.
Fixed handshower hook.



031	Chrome	100 706	Black Metal PVD	149
149	Finox	130 707	Black Metal Br. PVD	159
299	Black XL	125 708	Copper Brushed PVD	159
187	Aged Bronze	159 727	Brushed Brass PVD	159
713	Antique Brass	159 246	Gold PVD	169
030	Copper PVD	149		

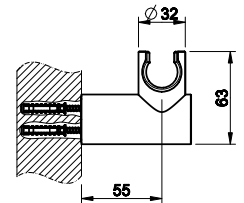
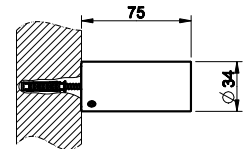


58160

Держатель для душевой лейки поворотный.
Adjustable handshower hook.



031	Chrome	178 706	Black Metal PVD	264
149	Finox	232 707	Black Metal Br. PVD	282
299	Black XL	223 708	Copper Brushed PVD	282
187	Aged Bronze	282 727	Brushed Brass PVD	282
713	Antique Brass	282 246	Gold PVD	299
030	Copper PVD	264		

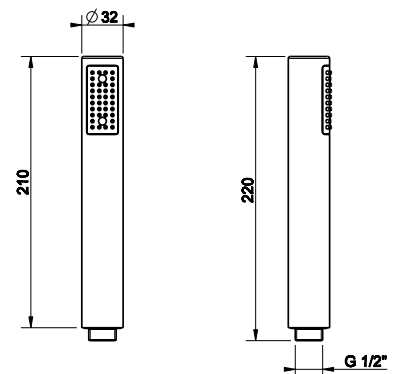


14372

Душевая лейка с легкой очисткой.
Antilimestone handshower.



031	Chrome	41 706	Black Metal PVD	182
149	Finox	150 707	Black Metal Br. PVD	195
299	Black XL	75 708	Copper Brushed PVD	195
187	Aged Bronze	188 727	Brushed Brass PVD	195
713	Antique Brass	195 246	Gold PVD	218
030	Copper PVD	182		

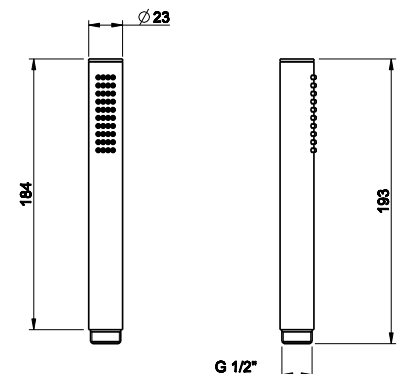


29783

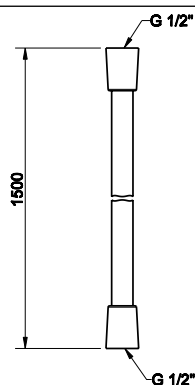
Душевая лейка с легкой очисткой.
Antilimestone handshower.



031	Chrome	111 706	Black Metal PVD	165
149	Finox	137 707	Black Metal Br. PVD	176
299	Black XL	137 708	Copper Brushed PVD	176
187	Aged Bronze	176 727	Brushed Brass PVD	176
713	Antique Brass	176 246	Gold PVD	187
030	Copper PVD	165		



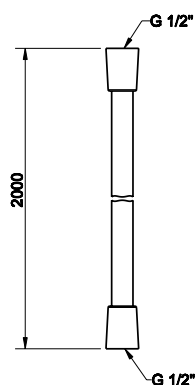
INCISO SHOWER



01637

Шланг cromalux для ванны с коническим соединением на 1/2", длина 150 см.
 1,50 m Cromalux flexible hose with conic 1/2" connections.

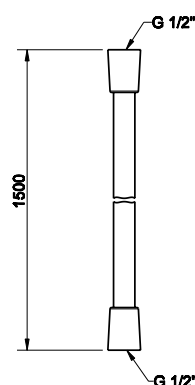
031	Chrome	56 706	Black Metal PVD	83
149	Finox	66 707	Black Metal Br. PVD	89
299	Black XL	110 708	Copper Brushed PVD	89
187	Aged Bronze	115 727	Brushed Brass PVD	90
713	Antique Brass	109 246	Gold PVD	115
030	Copper PVD	83		



28746

Шланг cromalux для ванны с коническим соединением на 1/2", длина 200 см.
 2,00 m Cromalux flexible hose with conic 1/2" connections.

031	Chrome	70 706	Black Metal PVD	99
149	Finox	82 707	Black Metal Br. PVD	108
299	Black XL	124 708	Copper Brushed PVD	108
187	Aged Bronze	138 727	Brushed Brass PVD	108
713	Antique Brass	138 246	Gold PVD	138
030	Copper PVD	99		



SP02148

Шланг двойной фальцовки, длина 1,50 м с соединением на 1/2"
 Double-seam flexible hose, 1,5 m length, 1/2" connector.

031	Chrome	83 706	Black Metal PVD	123
149	Finox	112 707	Black Metal Br. PVD	132
299	Black XL	112 708	Copper Brushed PVD	132
187	Aged Bronze	132 727	Brushed Brass PVD	132
713	Antique Brass	132 246	Gold PVD	123
030	Copper PVD	123		





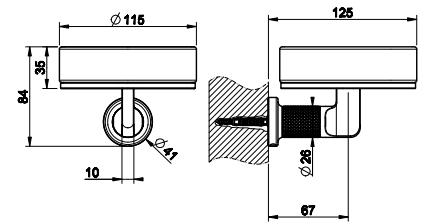
INCISO
ACCESSORIES
davidrockwell for
GESSI®

58501

Мыльница настенная.
Wall-mounted soap holder.



031	Chrome	257 706	Black Metal PVD	380
149	Finox	334 707	Black Metal Br. PVD	405
299	Black XL	322 708	Copper Brushed PVD	405
187	Aged Bronze	405 727	Brushed Brass PVD	405
713	Antique Brass	405 246	Gold PVD	432
030	Copper PVD	380		

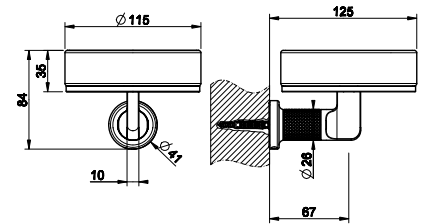


58502

Мыльница настенная.
Wall-mounted soap holder.



031	Chrome	257 706	Black Metal PVD	380
149	Finox	334 707	Black Metal Br. PVD	405
299	Black XL	322 708	Copper Brushed PVD	405
187	Aged Bronze	405 727	Brushed Brass PVD	405
713	Antique Brass	405 246	Gold PVD	432
030	Copper PVD	380		

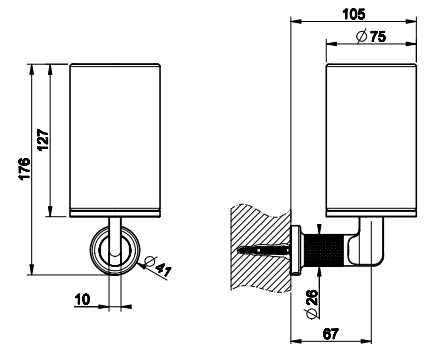


58507

Стакан настенный.
Wall-mounted tumbler holder.



031	Chrome	280 706	Black Metal PVD	415
149	Finox	365 707	Black Metal Br. PVD	443
299	Black XL	350 708	Copper Brushed PVD	443
187	Aged Bronze	443 727	Brushed Brass PVD	443
713	Antique Brass	443 246	Gold PVD	472
030	Copper PVD	415		

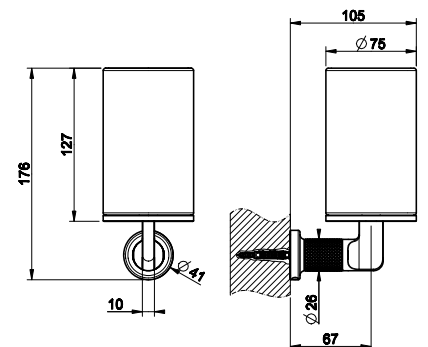


58508

Стакан настенный.
Wall-mounted tumbler holder.



031	Chrome	280 706	Black Metal PVD	415
149	Finox	365 707	Black Metal Br. PVD	443
299	Black XL	350 708	Copper Brushed PVD	443
187	Aged Bronze	443 727	Brushed Brass PVD	443
713	Antique Brass	443 246	Gold PVD	472
030	Copper PVD	415		

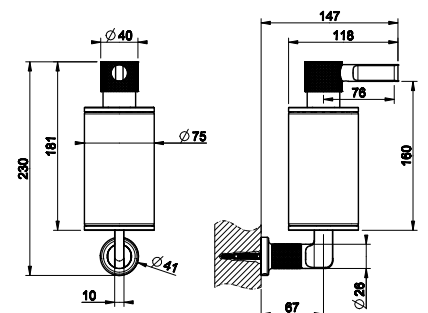


58513

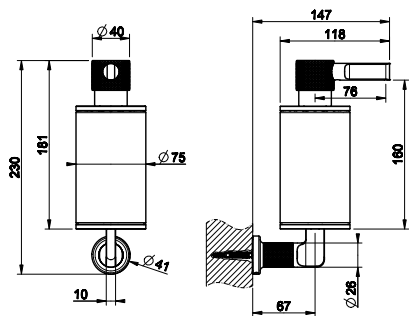
Дозатор для жидкого мыла настенный.
Wall-mounted soap dispenser holder.



031	Chrome	513 706	Black Metal PVD	759
149	Finox	667 707	Black Metal Br. PVD	810
299	Black XL	642 708	Copper Brushed PVD	810
187	Aged Bronze	810 727	Brushed Brass PVD	810
713	Antique Brass	810 246	Gold PVD	862
030	Copper PVD	759		



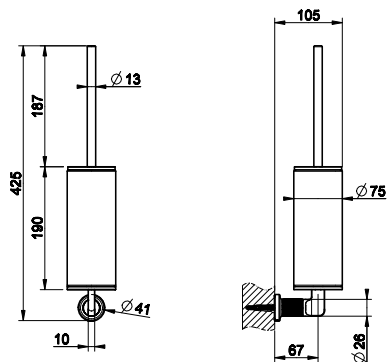
INCISO ACCESSORIES



58514

Дозатор для жидкого мыла настенный.
Wall-mounted soap dispenser holder.

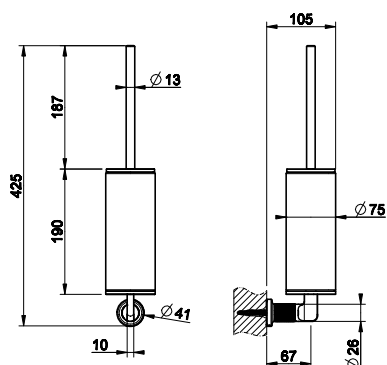
031	Chrome	513 706	Black Metal PVD	759
149	Finox	667 707	Black Metal Br. PVD	810
299	Black XL	642 708	Copper Brushed PVD	810
187	Aged Bronze	810 727	Brushed Brass PVD	810
713	Antique Brass	810 246	Gold PVD	862
030	Copper PVD	759		



58519

Ершик настенный.
Wall-mounted brush holder.

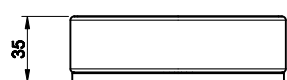
031	Chrome	437 706	Black Metal PVD	647
149	Finox	568 707	Black Metal Br. PVD	690
299	Black XL	547 708	Copper Brushed PVD	690
187	Aged Bronze	690 727	Brushed Brass PVD	690
713	Antique Brass	690 246	Gold PVD	734
030	Copper PVD	647		



58520

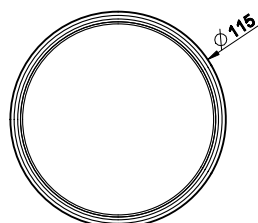
Ершик настенный.
Wall-mounted brush holder.

031	Chrome	437 706	Black Metal PVD	647
149	Finox	568 707	Black Metal Br. PVD	690
299	Black XL	547 708	Copper Brushed PVD	690
187	Aged Bronze	690 727	Brushed Brass PVD	690
713	Antique Brass	690 246	Gold PVD	734
030	Copper PVD	647		

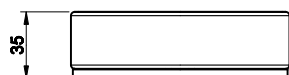


58525

Мыльница настольная.
Standing soap holder.

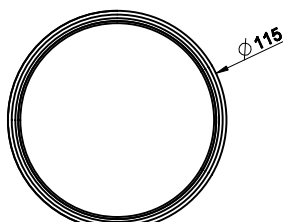


031	Chrome	160 706	Black Metal PVD	238
149	Finox	209 707	Black Metal Br. PVD	254
299	Black XL	200 708	Copper Brushed PVD	254
187	Aged Bronze	254 727	Brushed Brass PVD	254
713	Antique Brass	254 246	Gold PVD	270
030	Copper PVD	238		



58526

Мыльница настольная.
Standing soap holder.



031	Chrome	160 706	Black Metal PVD	238
149	Finox	209 707	Black Metal Br. PVD	254
299	Black XL	200 708	Copper Brushed PVD	254
187	Aged Bronze	254 727	Brushed Brass PVD	254
713	Antique Brass	254 246	Gold PVD	270
030	Copper PVD	238		

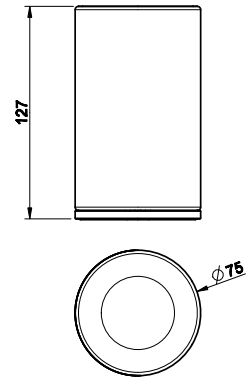




58531

Стакан настольный.
Standing tumbler holder.

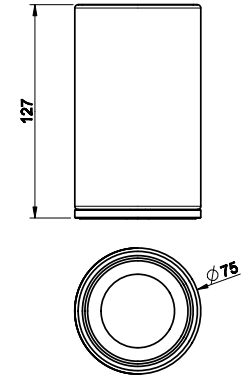
031	Chrome	179 706	Black Metal PVD	265
149	Finox	233 707	Black Metal Br. PVD	283
299	Black XL	224 708	Copper Brushed PVD	283
187	Aged Bronze	283 727	Brushed Brass PVD	283
713	Antique Brass	283 246	Gold PVD	302
030	Copper PVD	265		



58532

Стакан настольный.
Standing tumbler holder.

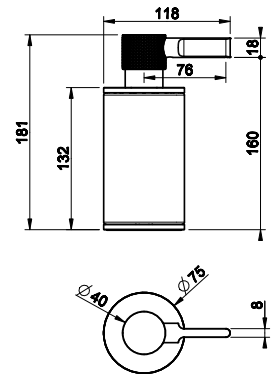
031	Chrome	179 706	Black Metal PVD	265
149	Finox	233 707	Black Metal Br. PVD	283
299	Black XL	224 708	Copper Brushed PVD	283
187	Aged Bronze	283 727	Brushed Brass PVD	283
713	Antique Brass	283 246	Gold PVD	302
030	Copper PVD	265		



58537

Дозатор для жидкого мыла настольный.
Standing soap dispenser holder.

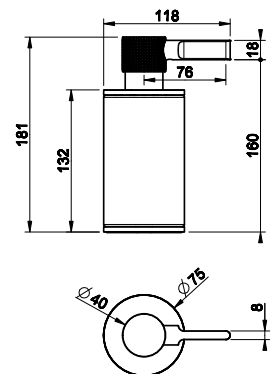
031	Chrome	439 706	Black Metal PVD	650
149	Finox	572 707	Black Metal Br. PVD	694
299	Black XL	549 708	Copper Brushed PVD	694
187	Aged Bronze	694 727	Brushed Brass PVD	694
713	Antique Brass	694 246	Gold PVD	738
030	Copper PVD	650		



58538

Дозатор для жидкого мыла настольный.
Standing soap dispenser holder.

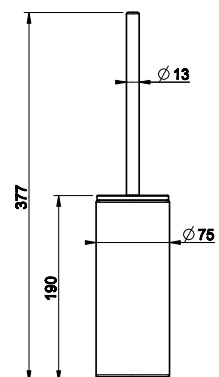
031	Chrome	439 706	Black Metal PVD	650
149	Finox	572 707	Black Metal Br. PVD	694
299	Black XL	549 708	Copper Brushed PVD	694
187	Aged Bronze	694 727	Brushed Brass PVD	694
713	Antique Brass	694 246	Gold PVD	738
030	Copper PVD	650		



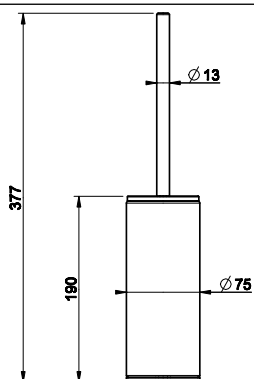
58543

Ершик напольный.
Standing brush holder.

031	Chrome	349 706	Black Metal PVD	517
149	Finox	454 707	Black Metal Br. PVD	552
299	Black XL	437 708	Copper Brushed PVD	552
187	Aged Bronze	552 727	Brushed Brass PVD	552
713	Antique Brass	552 246	Gold PVD	587
030	Copper PVD	517		



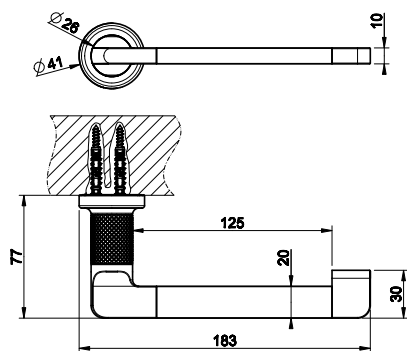
INCISO ACCESSORIES



58544

Ершик напольный.
Standing brush holder.

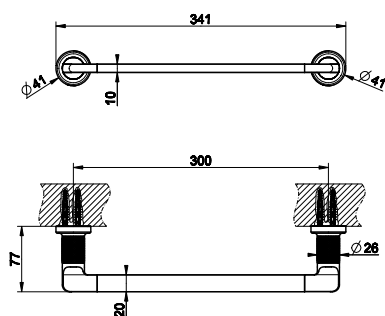
031	Chrome	349 706	Black Metal PVD	517
149	Finox	454 707	Black Metal Br. PVD	552
299	Black XL	437 708	Copper Brushed PVD	552
187	Aged Bronze	552 727	Brushed Brass PVD	552
713	Antique Brass	552 246	Gold PVD	587
030	Copper PVD	517		



58455

Настенный держатель для туалетной бумаги
вертикальный или горизонтальный.
Wall-mounted paper roll holder either vertical or horizontal.

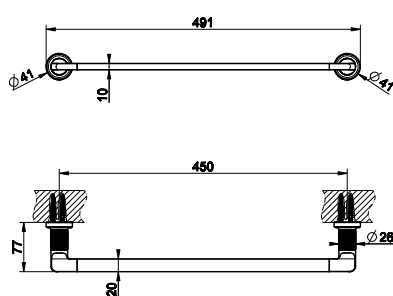
031	Chrome	263 706	Black Metal PVD	389
149	Finox	342 707	Black Metal Br. PVD	415
299	Black XL	329 708	Copper Brushed PVD	415
187	Aged Bronze	415 727	Brushed Brass PVD	415
713	Antique Brass	415 246	Gold PVD	442
030	Copper PVD	389		



58497

Полотенцедержатель, 30 см.
30 cm centre distance towel rail.

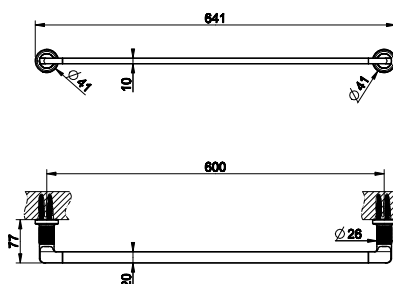
031	Chrome	370 706	Black Metal PVD	549
149	Finox	482 707	Black Metal Br. PVD	585
299	Black XL	463 708	Copper Brushed PVD	585
187	Aged Bronze	585 727	Brushed Brass PVD	585
713	Antique Brass	585 246	Gold PVD	623
030	Copper PVD	549		



58500

Полотенцедержатель, 45 см.
45 cm centre distance towel rail.

031	Chrome	388 706	Black Metal PVD	574
149	Finox	504 707	Black Metal Br. PVD	613
299	Black XL	485 708	Copper Brushed PVD	613
187	Aged Bronze	613 727	Brushed Brass PVD	613
713	Antique Brass	613 246	Gold PVD	652
030	Copper PVD	574		



58503

Полотенцедержатель, 60 см.
60 cm centre distance towel rail.

031	Chrome	414 706	Black Metal PVD	613
149	Finox	539 707	Black Metal Br. PVD	654
299	Black XL	518 708	Copper Brushed PVD	654
187	Aged Bronze	654 727	Brushed Brass PVD	654
713	Antique Brass	654 246	Gold PVD	697
030	Copper PVD	613		

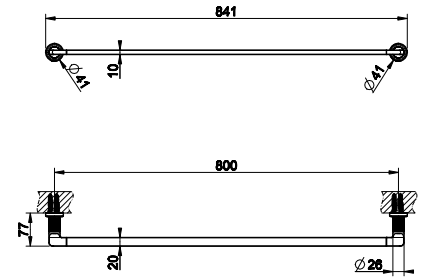


58505

Полотенцедержатель, 80 см.
80 cm centre distance towel rail.



031	Chrome	459	706	Black Metal PVD	680
149	Finox	598	707	Black Metal Br. PVD	725
299	Black XL	574	708	Copper Brushed PVD	725
187	Aged Bronze	725	727	Brushed Brass PVD	725
713	Antique Brass	725	246	Gold PVD	772
030	Copper PVD	680			

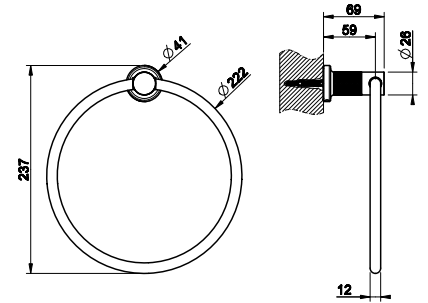


58509

Полотенцедержатель кольцевой.
Towel ring.



031	Chrome	215	706	Black Metal PVD	319
149	Finox	280	707	Black Metal Br. PVD	340
299	Black XL	269	708	Copper Brushed PVD	340
187	Aged Bronze	340	727	Brushed Brass PVD	340
713	Antique Brass	340	246	Gold PVD	362
030	Copper PVD	319			

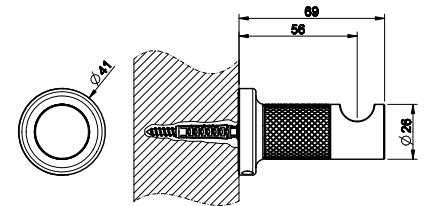


58521

Крючок настенный.
Wall-mounted robe hook.



031	Chrome	103	706	Black Metal PVD	153
149	Finox	134	707	Black Metal Br. PVD	163
299	Black XL	129	708	Copper Brushed PVD	163
187	Aged Bronze	163	727	Brushed Brass PVD	163
713	Antique Brass	163	246	Gold PVD	173
030	Copper PVD	153			



INCISO

TOTAL LOOK



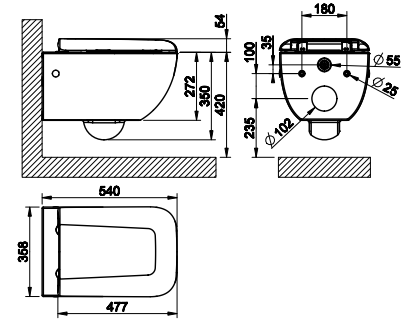
davidrockwell for
GESSI®



39113

Подвесной унитаз настенный (6 л.), белая керамика Bianco Europa, со встроенным сифоном. Петли плавного закрывания и пробки для боковых отверстий в отделке 031, под запрос возможна отделка 147.
Wall hung WC (6 litres) in White Europe Ceramic, integrated siphon. Soft-closing hardware and lateral holes plugs included in 031 finishing, 147 finishing available on demand.

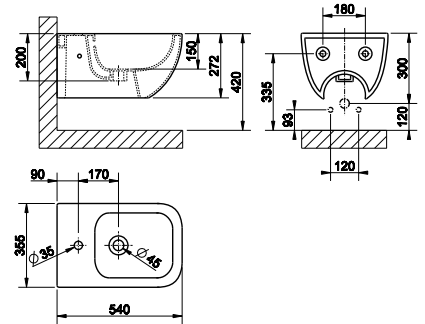
- 518** White Europe Ceramic **955**
- 531** White Matt Ceramic **1.433**
- 532** Black Matt Ceramic **1.433**



39115

Подвесное биде в керамике Bianco Europa с переливом и центральным отверстием под смеситель. Пробка для перелива и пробки для боковых отверстий в отделке 031, под запрос возможна отделка 147.
Wall hung bidet in White Europe Ceramic with overflow waste, with central hole for taps and fittings. Overflow cap and side covering caps included in 031 finishing, 147 finishing available on demand.

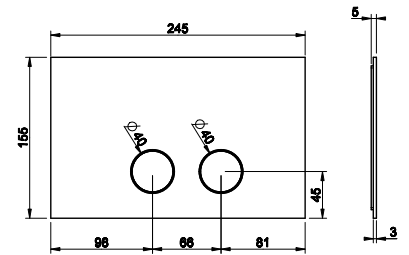
- 518** White Europe Ceramic **645**
- 531** White Matt Ceramic **968**
- 532** Black Matt Ceramic **968**



54611

Клавиши смыва Geberit Sigma 8 e Sigma 12
Wc actuator plates for Geberit Sigma 8 and Sigma 12

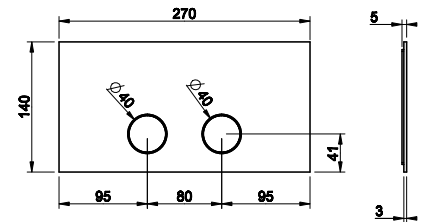
- | | | | |
|----------------------------|----------------|---------------------|------------|
| 031 Chrome | 528 707 | Black Metal Br. PVD | 782 |
| 299 Black XL | 713 708 | Copper Brushed PVD | 782 |
| 187 Aged Bronze | 782 727 | Brushed Brass PVD | 782 |
| 713 Antique Brass | 782 246 | Gold PVD | 887 |
| 030 Copper PVD | 782 239 | Steel brushed | 528 |
| 706 Black Metal PVD | 782 | | |



54613

Клавиши смыва Viega 1H, 2H, 2L
Wc actuator plates for Viega 1H, 2H, 2L

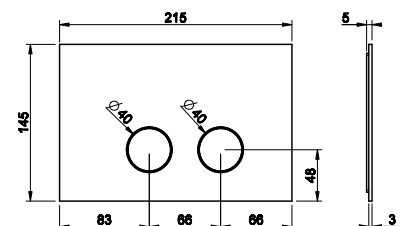
- | | | | |
|----------------------------|------------------|---------------------|--------------|
| 031 Chrome | 850 707 | Black Metal Br. PVD | 1.259 |
| 299 Black XL | 1.148 708 | Copper Brushed PVD | 1.259 |
| 187 Aged Bronze | 1.259 727 | Brushed Brass PVD | 1.259 |
| 713 Antique Brass | 1.259 246 | Gold PVD | 1.429 |
| 030 Copper PVD | 1.259 239 | Steel brushed | 850 |
| 706 Black Metal PVD | 1.259 | | |



54615

Клавиши смыва Geberit Omega 12
Wc actuator plates for Geberit Omega 12

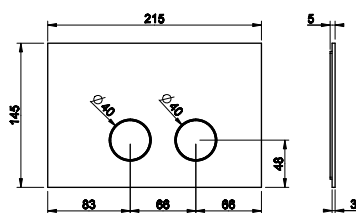
- | | | | |
|----------------------------|----------------|---------------------|------------|
| 031 Chrome | 502 707 | Black Metal Br. PVD | 743 |
| 299 Black XL | 678 708 | Copper Brushed PVD | 743 |
| 187 Aged Bronze | 743 727 | Brushed Brass PVD | 743 |
| 713 Antique Brass | 743 246 | Gold PVD | 843 |
| 030 Copper PVD | 743 239 | Steel brushed | 502 |
| 706 Black Metal PVD | 743 | | |



INCISO TOTAL LOOK

54617

Клавиши смыва Тесе (TeceProfil, TeceBox)
 Wc actuator plates for Tece (TeceProfil, TeceBox)

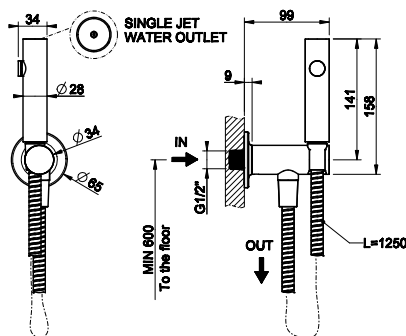


031	Chrome	562 707	Black Metal Br. PVD	832
299	Black XL	759 708	Copper Brushed PVD	832
187	Aged Bronze	832 727	Brushed Brass PVD	832
713	Antique Brass	832 246	Gold PVD	944
030	Copper PVD	832 239	Steel brushed	562
706	Black Metal PVD	832		



58151

Гидроёршик настенный на 1/2".
 Hydrobrush with 1/2" connection.

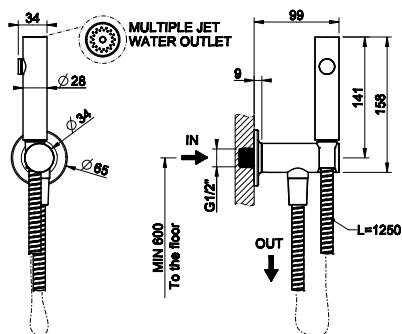


031	Chrome	749 706	Black Metal PVD	1.109
149	Finox	974 707	Black Metal Br. PVD	1.184
299	Black XL	937 708	Copper Brushed PVD	1.184
187	Aged Bronze	1.184 727	Brushed Brass PVD	1.184
713	Antique Brass	1.184 246	Gold PVD	1.259
030	Copper PVD	1.109		



58153

Гигиенический душ на 1/2".
 Shut-off douchette with 1/2" pipe connection.

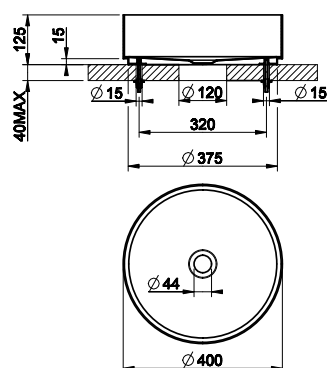


031	Chrome	602 706	Black Metal PVD	890
149	Finox	783 707	Black Metal Br. PVD	950
299	Black XL	753 708	Copper Brushed PVD	950
187	Aged Bronze	950 727	Brushed Brass PVD	950
713	Antique Brass	950 246	Gold PVD	1.012
030	Copper PVD	890		



54601

Лавabo da appoggio in acciaio Inox, senza scarico troppopieno.
 Counter washbasin In stainless steel, without overflow waste.



707	Black Metal Br. PVD	3.189
708	Copper Brushed PVD	3.189
726	Warm Steel Br. PVD	3.189
239	Steel brushed	1.077



Suggested Matchings

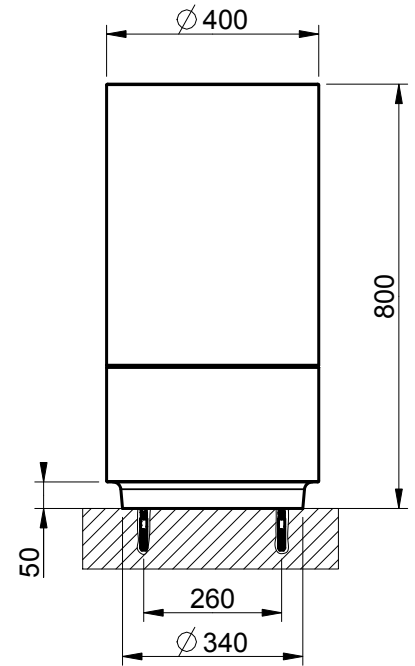
- #031 - #239 Brushed Steel
- #149 - #239 Brushed Steel
- #299 - #707 Brushed Black Metal
- #713 - #707 Brushed Black Metal
- #187 - #707 Brushed Black Metal
- #706 - #707 Brushed Black Metal
- #707 - #707 Brushed Black Metal
- #030 - #708 Brushed Copper
- #708 - #708 Brushed Copper
- #727 - #726 Brushed Warm Steel
- #246 - #726 Brushed Warm Steel

54603

Подставка из Cristalplant® для напольной установки раковины 54601. Со сливом в пол. В комплект поставки входит сифон и дренажная труба из полиэтилена
 Support in Cristalplant® for freestanding installation for 54601.
 Syphon and polyethylene extensible drainage-pipe included. Floor drainage.



850	Cristalplant Dark Metal	5.622
------------	----------------------------	--------------

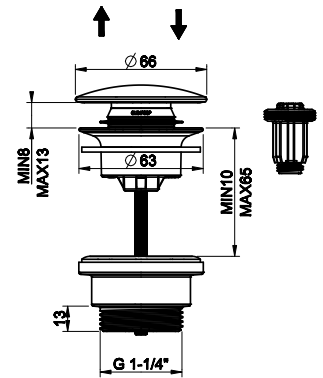


54599

Piletta lavabo "Stop&Go" da 1 1/4".
 1 1/4" basin waste "Stop&Go".



707	Black Metal Br. PVD	162
708	Copper Brushed PVD	162
726	Warm Steel Br. PVD	162
239	Steel brushed	55



29463

Сиденье для унитаза из термоотверждающихся смол для арт. 39113.
 Thermo-hardening WC seat for item 39113.



031	Chrome	229
279	White CN	344
299	Black XI	344

37584

Петли плавного закрывания и пробки для боковых отверстий.
 Soft-closing hardware and lateral holes plugs.



031	Chrome	133	706	Black Metal PVD	200
149	Finox	170	707	Black Metal Br. PVD	214
299	Black XL	169	708	Copper Brushed PVD	214
187	Aged Bronze	214	727	Brushed Brass PVD	214
713	Antique Brass	214	246	Gold PVD	223
030	Copper PVD	200			

37587

Пробка для перелива с пробками для боковых отверстий.

Finished cover cap for overflow waste with lateral hole plugs.



031	Chrome	76 706	Black Metal PVD	112
149	Finox	98 707	Black Metal Br. PVD	119
299	Black XL	94 708	Copper Brushed PVD	119
187	Aged Bronze	119 727	Brushed Brass PVD	119
713	Antique Brass	119 246	Gold PVD	128
030	Copper PVD	112		



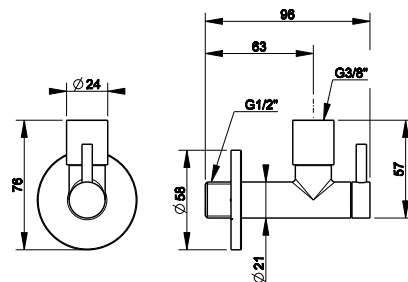
**TECHNICAL
ACCESSORIES**

01411

Кран-фильтр округлый с подводом воды на 1/2".
 Round under-basin control with filter and 1/2" connection.



031	Chrome	83 706	Black Metal PVD	188
149	Finox	150 707	Black Metal Br. PVD	195
299	Black XL	157 708	Copper Brushed PVD	195
187	Aged Bronze	195 727	Brushed Brass PVD	195
713	Antique Brass	195 246	Gold PVD	215
030	Copper PVD	188		

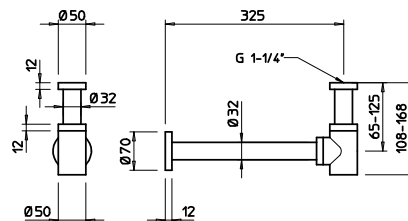


01375

Сифон округлый для биде на 1 1/4".
 1 1/4" bidet round syphon.

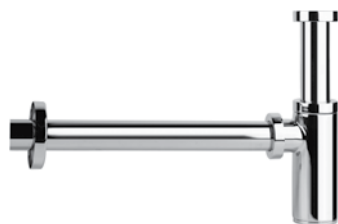


031	Chrome	160 706	Black Metal PVD	399
149	Finox	318 707	Black Metal Br. PVD	442
299	Black XL	334 708	Copper Brushed PVD	442
187	Aged Bronze	442 727	Brushed Brass PVD	442
713	Antique Brass	442 246	Gold PVD	487
030	Copper PVD	399		

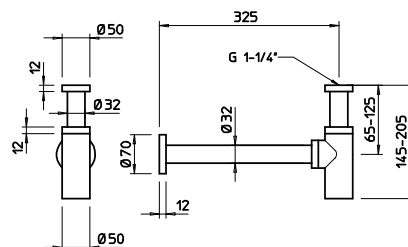


01377

Сифон округлый на 1 1/4".
 1 1/4" round syphon.



031	Chrome	160 706	Black Metal PVD	399
149	Finox	318 707	Black Metal Br. PVD	442
299	Black XL	334 708	Copper Brushed PVD	442
187	Aged Bronze	442 727	Brushed Brass PVD	442
713	Antique Brass	442 246	Gold PVD	487
030	Copper PVD	399		

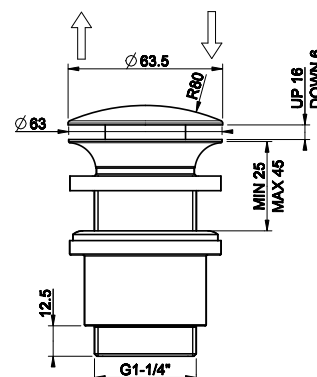


01420

Автоматический донный клапан для раковины "Stop&Go" на 1 1/4", без слива-перелива.
 1 1/4" authomatic basin waste "Stop&Go" without overflow.



031	Chrome	73 706	Black Metal PVD	159
149	Finox	144 707	Black Metal Br. PVD	173
299	Black XL	219 708	Copper Brushed PVD	173
187	Aged Bronze	173 727	Brushed Brass PVD	173
713	Antique Brass	173 246	Gold PVD	191
030	Copper PVD	159		

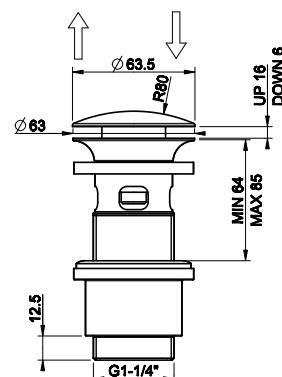


01422

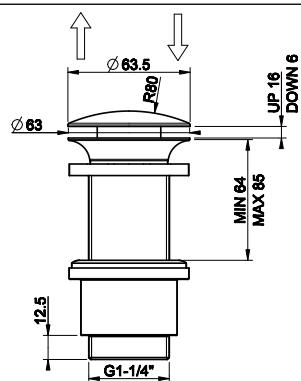
Автоматический донный клапан для раковины "Stop&Go" на 1 1/4", с переливом.
 1 1/4" authomatic basin waste "Stop&Go" with overflow.



031	Chrome	86 706	Black Metal PVD	187
149	Finox	170 707	Black Metal Br. PVD	211
299	Black XL	258 708	Copper Brushed PVD	211
187	Aged Bronze	211 727	Brushed Brass PVD	211
713	Antique Brass	211 246	Gold PVD	233
030	Copper PVD	187		



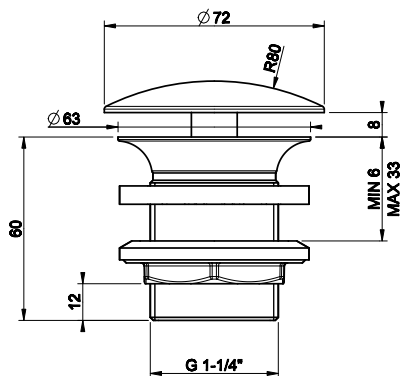
TECHNICAL ACCESSORIES



01423

Автоматический донный клапан для раковины "Stop&Go" на 1 1/4", без слива-перелива.
 1 1/4" automatic basin waste "Stop&Go" without overflow.

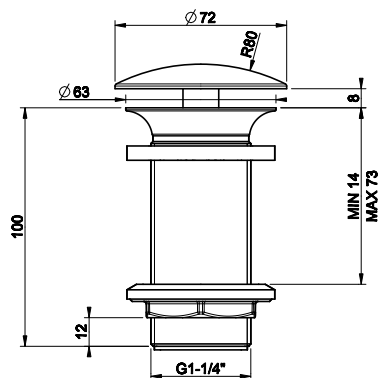
031	Chrome	86 706	Black Metal PVD	187
149	Finox	170 707	Black Metal Br. PVD	211
299	Black XL	258 708	Copper Brushed PVD	211
187	Aged Bronze	211 727	Brushed Brass PVD	211
713	Antique Brass	211 246	Gold PVD	233
030	Copper PVD	187		



01376

Донный клапан свободного слива 1 1/4", без перелива.
 1 1/4" basin waste always open, without overflow.

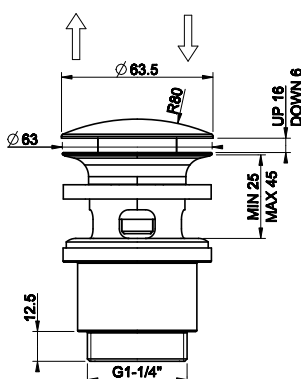
031	Chrome	44 706	Black Metal PVD	128
149	Finox	86 707	Black Metal Br. PVD	145
299	Black XL	132 708	Copper Brushed PVD	145
187	Aged Bronze	145 727	Brushed Brass PVD	145
713	Antique Brass	145 246	Gold PVD	160
030	Copper PVD	128		



01391

Донный клапан свободного слива 1 1/4", без перелива.
 1 1/4" basin waste always open, without overflow.

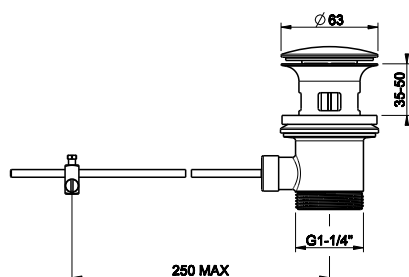
031	Chrome	56 706	Black Metal PVD	128
149	Finox	111 707	Black Metal Br. PVD	138
299	Black XL	168 708	Copper Brushed PVD	138
187	Aged Bronze	138 727	Brushed Brass PVD	138
713	Antique Brass	138 246	Gold PVD	152
030	Copper PVD	128		



01408

Автоматический донный клапан для раковины "Stop&Go" на 1 1/4", с переливом.
 1 1/4" automatic basin waste "Stop&Go" with overflow.

031	Chrome	73 706	Black Metal PVD	159
149	Finox	144 707	Black Metal Br. PVD	173
299	Black XL	219 708	Copper Brushed PVD	173
187	Aged Bronze	173 727	Brushed Brass PVD	173
713	Antique Brass	173 246	Gold PVD	191
030	Copper PVD	159		



29263

Донный клапан для раковины на 1 1/4" с автоматической пробкой и переливом.
 1 1/4" basin pop-up waste with overflow.

031	Chrome	34 706	Black Metal PVD	84
149	Finox	61 707	Black Metal Br. PVD	90
299	Black XL	102 708	Copper Brushed PVD	90
187	Aged Bronze	90 727	Brushed Brass PVD	90
713	Antique Brass	90 246	Gold PVD	100
030	Copper PVD	84		

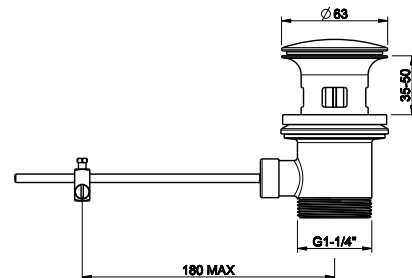


29264

Донный клапан для раковины на 1 1/4" с автоматической пробкой и переливом.
1 1/4" basin pop-up waste with overflow.



031	Chrome	34 706	Black Metal PVD	84
149	Finox	61 707	Black Metal Br. PVD	90
299	Black XL	102 708	Copper Brushed PVD	90
187	Aged Bronze	90 727	Brushed Brass PVD	90
713	Antique Brass	90 246	Gold PVD	100
030	Copper PVD	84		

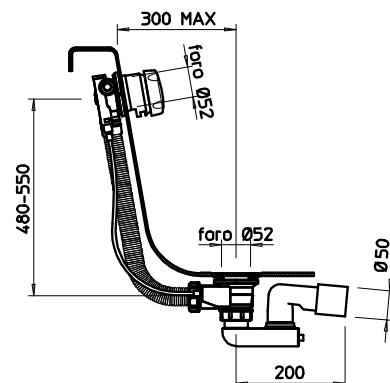


01080

Колонна сливная для ванны полиэтиленовая ссистемой наполнения ванны черезперелив. Длина кабеля управления 67,5 см.
Polyethylene column bath waste with overflow cap filler. Length of control cable 67,5 cm.



031	Chrome	340 706	Black Metal PVD	504
149	Finox	359 707	Black Metal Br. PVD	538
299	Black XL	425 708	Copper Brushed PVD	538
187	Aged Bronze	538 727	Brushed Brass PVD	538
713	Antique Brass	538 246	Gold PVD	571
030	Copper PVD	504		

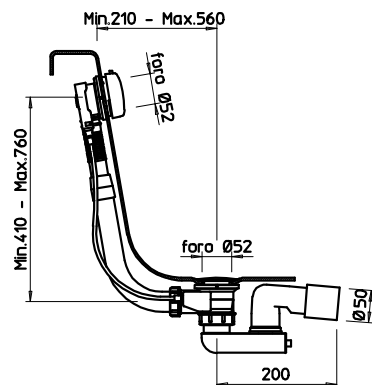


01452

Колонна сливная для ванны полиэтиленовая. Длина кабеля управления 57,5 см.
Polyethylene column bath waste. Length of control cable 57,5 cm.



031	Chrome	216 706	Black Metal PVD	320
149	Finox	230 707	Black Metal Br. PVD	342
299	Black XL	270 708	Copper Brushed PVD	342
187	Aged Bronze	342 727	Brushed Brass PVD	342
713	Antique Brass	342 246	Gold PVD	362
030	Copper PVD	320		

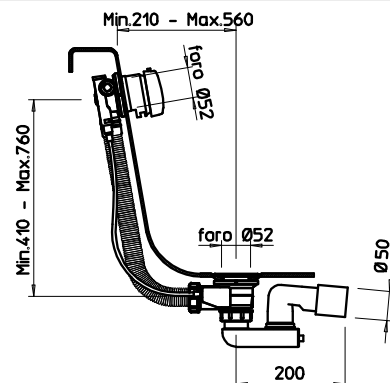


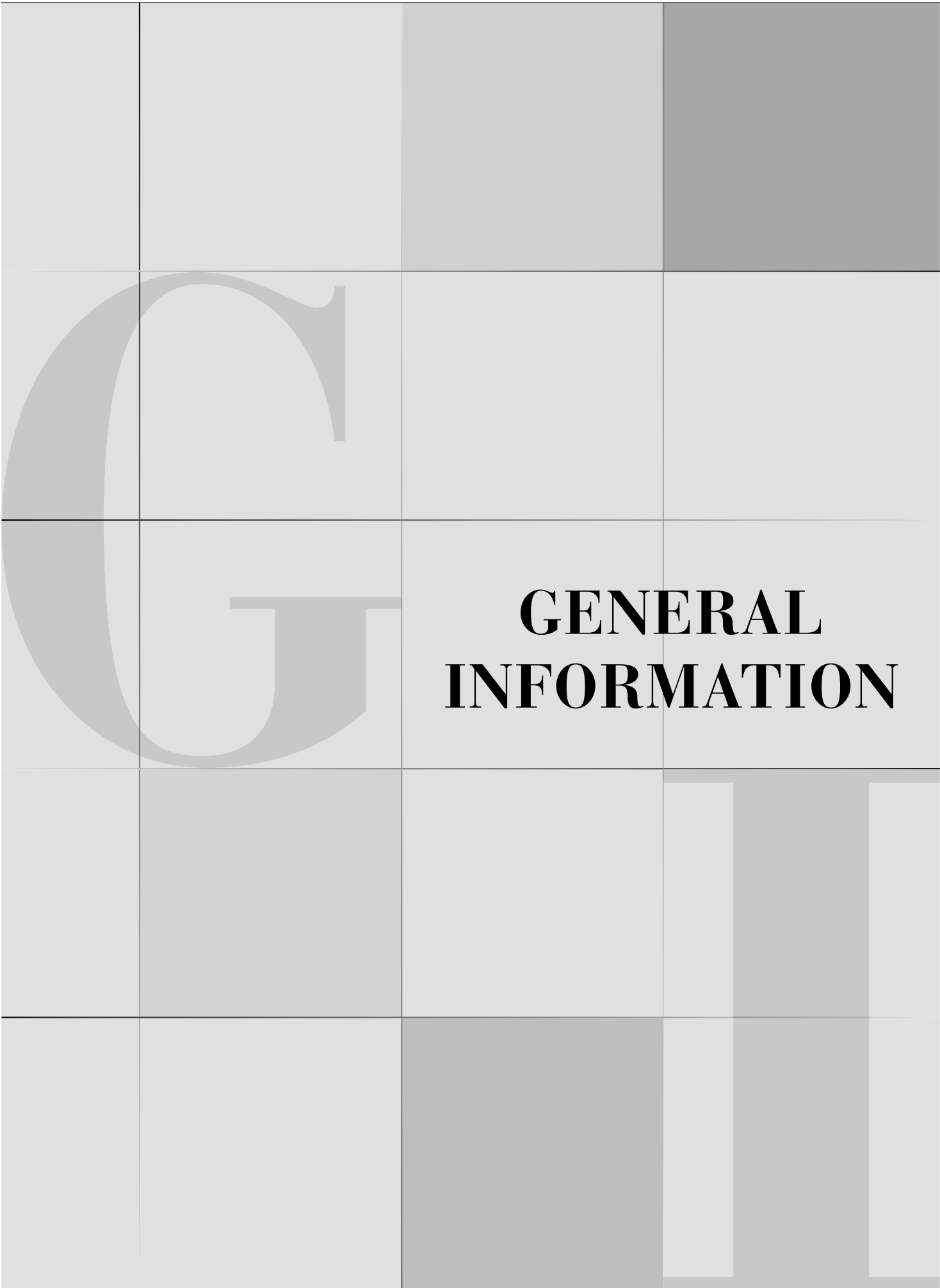
01453

Колонна сливная для ванны полиэтиленовая ссистемой наполнения ванны черезперелив. Длина кабеля управления 57,5 см.
Polyethylene column bath waste with overflow cap filler. Length of control cable 57,5 cm.



031	Chrome	340 706	Black Metal PVD	504
149	Finox	359 707	Black Metal Br. PVD	538
299	Black XL	425 708	Copper Brushed PVD	538
187	Aged Bronze	538 727	Brushed Brass PVD	538
713	Antique Brass	538 246	Gold PVD	571
030	Copper PVD	504		





**GENERAL
INFORMATION**

Брызги раствора и бетона можно обработать раствором, содержащим небольшое количество фосфорной кислоты. Промыть водой (предпочтительно деионизированной) и просушить. Деионизированная вода снижает риск появления пятен.

Специальные средства доступны в компаниях, специализирующихся по отделке. Не рекомендуется использовать любые средства, специально предназначенные для удаления остатков раствора или разбавленной соляной кислоты: если они случайно использовались или пролились на поверхность из нержавеющей стали, тщательно промыть чистой водой.

На матовых покрытиях могут оставаться отпечатки пальцев в первое время после установки, но они станут менее заметными после первой чистки.

Наиболее безопасным и эффективным средством для удаления отпечатков пальцев или других видов пятен является мыльная вода или мягкое моющее средство.

Нержавеющая сталь с глянцевой поверхностью можно чистить специальными средствами, которые обычно используют для очистки стекла. Главное чтобы они не содержали хлориды.

Не используйте абразивные чистящие средства, поскольку они могут оставить непоправимые царапины на поверхности из нержавеющей стали.

Кроме того, чтобы удалить загрязнения, могут быть использованы специальные средства для нержавеющей стали с содержанием фосфорной кислоты; не забывать после этого промыть деионизированной водой и просушить чистую поверхность. Целесообразно очищать всю поверхность из нержавеющей стали, чтобы избежать появления бликов.

Среди чистящих средств, которые не должны быть использованы на поверхности из нержавеющей стали:

- моющие средства содержащие хлориды, особенно те, которые содержат соляную кислоту,
- отбеливатели на основе хлорноватистой кислоты. Если они случайно пролиты на поверхность из нерж.стали, необходимо тщательно промыть их чистой водой.
- средства, используемые для очистки серебра.

Для удаления легкого загрязнения или отпечатков, нужно использовать влажную или велюровую ткань. Для более стойких загрязнений, рекомендуются нейлоновые губки. Абсолютно не рекомендуется использовать абразивные металлические губки из обычной стали, которые могут не только поцарапать поверхность, но и оставить крошечные стальные частички, которые при воздействии влаги, приведут к появлению пятен ржавчины.

На текстурированных гладких отделках поверхности с однонаправленным рисунком чистку нужно проводить движениями, которые следуют за направлением рисунка, а не против него.

Там, где вода использовалась в качестве средства очистки или промывки, особенно в зонах со значительным присутствием кальция в воде, следует немедленно просушить поверхность, чтобы предотвратить появление новых пятен. Использование деионизированной воды предотвратит образование известкового налета.

Чтобы избежать загрязнений, вызванных частицами железа, убедитесь, чтобы выбранные инструменты для очистки ранее не использовались на поверхности из углеродистой стали. Материалы, выбранные для очистки изделий из нержавеющей стали, должны использоваться исключительно для этой цели.

Чистку следует проводить до того, как скопление грязи или отпечатков станет заметным, таким образом усилия и затраты по очистке и риск поцарапать или изменить внешний вид поверхности будут сведены к минимуму.

Mortar and cement splashes can be treated with a solution containing a small amount of phosphoric acid. Rinse with water (preferably deionised water) and dry. Deionised water reduces the risk of water staining marks.

Proprietary products are available from specialists finishing companies. Never allow mortar removers or diluted hydrochloric acid to be used on stainless steel. If they have accidentally been applied to or spilt over the stainless steel, rinse generously with fresh water.

Brushed finishes, which are a popular choice for interiors, may show finger marks in the period immediately after installation, but the visibility of the marking should become less evident after the first few cleaning operations.

To remove fingerprints and other marks, soapy water or a mild detergent are usually safe and successful.

Mirror-polished stainless steel can be cleaned with glass cleansers. These products should be selected chloride-free.

Scouring powders should not be used as these products can leave permanent scratches on stainless steel surfaces.

Alternatively, use a proprietary stainless steel cleaner containing phosphoric acid to remove contamination, rinse with deionised water and dry. It is advisable that the entire surface of the component is treated so that a patchy appearance is avoided.

Cleaners that should NOT be used on stainless steels include:

- chloride-containing cleansers, especially those containing hydrochloric acid
- hypochlorite bleaches should not be used on stainless steels; if applied accidentally or spilt on stainless steel surfaces, should be rinsed off immediately with liberal amounts of fresh water
- silver-cleaners must not be used on stainless steel

A damp cloth or chamois leather will usually be suitable for removing normal soiling, fingerprints, etc.

For more stubborn dirt, nylon pads are usually satisfactory. Non-stainless steel based scouring pads, cleaning wool or wire brushes must not be used on stainless steel. Apart from scratching the surface, these pads can leave carbon steel deposits on the stainless surface, which can subsequently develop into rust spots, if the surface becomes wet.

On “grained” directional finishes, the direction of cleaning strokes should be along the grain and not across it.

Where water has been used for cleaning or rinsing, wiping the surface dry to prevent watermarks, especially in hard water areas may be advisable. The use of deionised water will prevent the formation of hard water staining.

To avoid “cross-contamination” from iron particles, ensure that cleaning utensils have not been used for “ordinary” (i.e. carbon) steel before. Cleaning materials for use on stainless steel items should preferably be reserved exclusively for that purpose.

Cleaning should be done before there is a visible build up of soiling or finger-marking, so that the effort and cost of cleaning is minimised along with the risk of marking or altering the appearance of the surfaces.

ТЕХНИЧЕСКИЕ ТРЕБОВАНИЯ:

- 1) Чтобы обеспечить долгий срок службы изделия необходимо устанавливать краны с фильтром, которые необходимо периодически прочищать;
- 2) Не устанавливайте изделие если водяное давление выше 5 бар (в данном случае использовать редуктор давления);
- 3) Температура воды не должна превышать 70 °С;
- 4) Необходимо сделать промывку труб, прежде чем устанавливать кран;
- 5) Для установки, следовать инструкциям по монтажу, которая поставляется вместе с изделием;
- 6) Не подключайте заземление электросети к гибким трубам или к другой гидравлической системе;
- 7) Отключите установку в случае отсутствия более двадцати четырех часов.

ЭКСПЛУАТАЦИЯ: РЕКОМЕНДАЦИИ ПО УХОДУ ЗА ИЗДЕЛИЯМИ GESSE SpA

Изделия GESSE S.p.A. производятся из разных материалов, в соответствии с нуждами рынка, дизайна и функциональности. Поверхности изделий GESSE S.p.A. производятся на основе лучших материалов, проверенных производственных процессов и постоянно совершенствуются, что подтверждено сертификацией качества. Чтобы полностью оценить ваше изделие GESSE и сохранить его эстетические особенности, необходимо учитывать следующее:

А) Вода содержит известняк в различных количествах, который оседает на поверхности изделия, оставляя следы после испарения воды. Для того чтобы предотвратить образование отложений кальция, и содержать ваше изделие в чистоте, всегда вытирайте его сухой мягкой тканью сразу после использования.

Б) НЕ СЛЕДУЕТ ИСПОЛЬЗОВАТЬ МОЮЩИЕ СРЕДСТВА, РАСТВОРИТЕЛИ, ХИМИЧЕСКИЕ РЕАКТИВЫ, АБРАЗИВНЫЕ ГУБКИ, МЕТАЛЛИЧЕСКИЕ ЩЕТКИ, СПИРТ, и т.д., что наносит непоправимый ущерб поверхности изделия, его эстетике, блеску и гладкости. ЧИСТИТЬ ИЗДЕЛИЕ ТОЛЬКО СЛЕГКА МЫЛЬНЫМ РАСТВОРОМ, ПРОТЕРЕВ ПОСЛЕ ЭТОГО МЯГКОЙ ТКАНЬЮ.

С) Периодически мыть фильтр аэратора, предварительно аккуратно сняв его, чтобы удалить известковый налет, который затрудняет выход воды.

Д) При использовании мыла в аэрозольной упаковке, нанести его сначала на чистую ткань или губку, НИКОГДА непосредственно на изделие.

Компания оставляет за собой право аннулировать гарантию в случае невыполнения вышеперечисленных рекомендаций, что будет установлено сервисным инженером GESSE SpA.

Любое изменение в данной гарантии предоставляется только GESSE SpA с надлежащим письменным уведомлением. Гарантия не считается действительной при отсутствии документа, подтверждающего дату покупки.

Любые повреждения и / или дефекты изделия будут исправлены по гарантии, только если артикул, являющийся предметом жалобы, будет возвращен на GESSE SpA в оригинальной упаковке с приложением документа, подтверждающего факт покупки. Гарантия распространяется на все страны, кроме США и Канады, куда изделие поставляется GESSE SpA или ее авторизованным дистрибьютором. В гарантии, в любом случае, не учитываются затраты на монтаж и демонтаж изделия, поездки и техническая помощь специализированного персонала, а также расходы, понесенные заказчиком из-за невозможности и / или приостановки использования изделия. Любые несовершенства отделки и натуральных материалов не считаются дефектами, но характерной чертой изделия в связи с ремесленным изготовлением.

TECHNICAL PRESCRIPTIONS:

- 1) in order to guarantee a long duration of the product install angle valves with filter, which have to be regularly cleaned;
- 2) you should not install the product in presence of water pressure higher than 5 bar: in case of higher pressure, it is recommended to use a pressure reducer;
- 3) water temperature should not be higher than 70 °C;
- 4) carry out the rinsing of the pipes before installing the tap;
- 5) regarding the installation follow the assembly instructions enclosed with the product;
- 6) do not connect the earthing of an electric installation to a flexible hose or to another water pipeline;
- 7) close the plant in case of an extended absence of more than twenty-four hours.

MAINTENANCE: INDICATIONS FOR THE CLEANING OF THE GESI S.p.A. PRODUCTS

The GESI S.p.A. products are manufactured articles of different materials according to any requirement of the market, design and functionality. The surfaces of the GESI S.p.A. manufacturing are obtained using the best materials, approved production processes and are constantly checked by updated quality certification methods, considered as follows:

A) Water contains limestone in different qualities, which remains kept on the surfaces of the product, leaving deposits after the water has been evaporated. It is possible to prevent the forming of limestone deposits and to keep your product clean by drying it always with a soft cloth immediately after use.

B) DETERGENTS, SOLVENTS, CHEMICAL AGENTS, ABRASIVE SPONGES, WIRE WOOL, ALCOHOL, ETC. SHOULD NOT BE USED as these could irreparably damage products' surfaces compromising their aesthetics, brightness and satinizing. CLEAN EXCLUSIVELY WITH WATER AND NEUTRAL SOAP DRYING THEM WITH A SOFT CLOTH.

C) Clean regularly the aerator filter after having it disassembled and after having removed the limestone which obstructs the outlets.

D) When using spray soap, splash first on a clean cloth or on a sponge, NEVER directly on the product.

The company has the right to invalidate the warranty when the above mentioned conditions will not be obeyed, checked by a technician of GESI S.p.A.

The company GESI S.p.A. can issue only any modifications at this warranty through a proper written declaration. Furthermore, the warranty will not be valid in case of missing documentation which proves the date of purchase.

Possible product damages a/o defects will be replaced under warranty only if the related item of complaint is send back to GESI S.p.A. in the original packaging including the proof of purchase. The warranty is valid in all the countries, excluded USA and Canada, where the product has been supplied by GESI S.p.A. or by its authorized distributor. The costs for the assembling and the disassembling of the product, the travelling and the technical interventions by the skilled staff, as well as the burden undergone by the customer due to the indisposition a/o the suspension of the product use are in any case excluded from the warranty. Possible imperfections at the finishing and at the raw materials, are not defects, but features of the product due to the handmade production.

**ОБЩИЕ УСЛОВИЯ ПРОДАЖИ
GENERAL SALES CONDITIONS**

- A Высылая заказ, Клиент принимает все изложенные ниже условия. Продажа считается оформленной только после получения четкого согласования от компании-продавца.
With the dispatch of the order the Customer agrees to all the following conditions. The sale is finalized only after the official confirmation approval of the order by the Company.
- B Цены в этом прейскуранте приведены без учета НДС и выражены в евро. Продавец оставляет за собой право изменять цены, условия продажи и продукцию (внося изменения в артикулы и / или отделки или даже ликвидируя тот же артикул из данного прайс-листа) в любое время по своему собственному усмотрению и без каких-либо обязательств по уведомлению.
The prices indicated in this price list do not include V.A.T. and they are expressed in Euros. The Seller may modify prices, general sales conditions and products (by modifying items and/or finishings or by removing them from this price list) at the Seller discretion without any prior notice.
- C Сроки поставки не являются окончательными и, поэтому, не обязательны для соблюдения продавцом. В случае их несоблюдения продавец не должен возмещать неустоек, а покупатель не может отказаться и/или задержать согласованные платежи. Если клиент должен предоставить данные, необходимые для выполнения поставки, срок поставки начинается с момента получения точных данных.
The delivery terms are to be used as a guide and not a guarantee and so are not binding for the Seller. Consequently any failure to meet them does not constitute any compensation from the Seller, neither justify the Buyer to cancel or delay the agreed payment. In case the Purchaser has not given the necessary exact and correct data to carry out the order, the delivery of the products will take effect only from the receipt of them.
- D Клиент несет ответственность за все идентификационные данные, предоставленные компании-продавцу такие как: Название фирмы – Юридический адрес – Код налогоплательщика - Регистрационный номер фирмы в бюро учёта НДС и другие данные, которые требуются действующим законодательством. Данные о клиенте, в соответствии с законом 675/95, будут храниться и обрабатываться как того требует закон. Любое другое использование должно быть одобрено заказчиком.
The Purchaser is the sole liable for the data he communicated to the Seller concerning the identification of the Purchaser such as Company Title – Registered Office – Tax payer's code – VAT Number – and whatever requested by the Laws in force. The Purchaser's data, according to the Law 675/95 will be kept and elaborated only for the obligations of Law. Any other use must be explicitly accepted by the Purchaser.
- E Отправка осуществляется в порядке, который продавец сочтет более подходящим. В момент доставки покупатель должен проверить заказанные материалы, а также немедленно заявить рекламацию перевозчику, в случае повреждения или вскрытия упаковки.
The shipment is carried out in the most appropriate way for the Seller. At point of delivery the Buyer is obliged to check the ordered goods and in case of error or damage of the packing he has to report this in the first instance directly to the forwarding agent.
- F Любая рекламация или жалоба должна направляться в письменном виде не позднее 8-ми дней от даты получения товара. В случае подачи рекламации в должные сроки товар следует направить на склад продавца на условиях «Франко склад» для проверки наличия дефектов. В случае обнаружения дефектов, допущенных по нашей вине, будет обеспечена замена возвращенного изделия, при этом, исключается какая бы то ни было дальнейшая ответственность продавца за прямые или косвенные последствия установки и эксплуатации изделия.

Any complaint and objection has to be communicated by recorded delivery letter within 8 days from the receipt of the goods. In the case of a complaint made within this time the goods can be sent free-port to our warehouse in order to be checked. In the case of defective material caused by the company it will be replaced, but the company will not accept any further responsibility for any direct or indirect consequences due to installation and use.

- G** При задержке оплаты будет начислена пеня по обычной ставке 6% со дня просрочки платежа, вне зависимости от предоставленных объяснений. При наступлении неуплаты в согласованные сроки, все заказы в портфолио будут приостановлены без предварительного уведомления и будут считаться аннулированными по вине компании-покупателя, кроме компенсации ущерба. Оплата поставленной продукции не зависит от завершенности заказа. Никакой платеж не может быть пролонгирован в случае возникновения споров.
In the case of a delayed payment, the company reserve the right to charge interest at the rate of 6% starting from the day after the expiry date of the invoice without notice. In case of any delay of payment within the agreed terms, the Seller has the right to suspend the supply without prior notice and the orders will be annulled due to Purchaser's fault , unless compensation for damage. Delivered goods pending payments will not prejudice the completion of orders in progress. Any delay or payment will not be accepted in case of claims.
- H** Товар находится в полной собственности Продавца, до момента получения оплаты его полной стоимости.
The products remain Seller's property until the moment of the complete payment of the price.
- I** Иллюстрации и описания, содержащиеся в данном прейскуранте и в печатных материалах продавца, не влекут за собой обязательства точного их соблюдения; приведенные детали и размеры следует считать ориентировочными, и могут подвергаться изменениям без предварительного уведомления.
The images and descriptions included in our literature do not constitute an obligation of an accurate realization of the product, the details and the measurement included are to be used as a guide and maybe modified without notice.
- L** В случае возникновения споров по поставкам, осуществляемым продавцом, они передаются на рассмотрение в суд г. Верчелли.
In the case of dispute involving Gessi S.p.A the relevant authority will be the Law Court of Vercelli.
- M** Возможные ошибки и / или опечатки в данном прейскуранте не является основанием для претензии.
Possibile mistakes and/or misprints of current price list will not be object of dispute.

Цены не включают НДС / VAT tax not included

